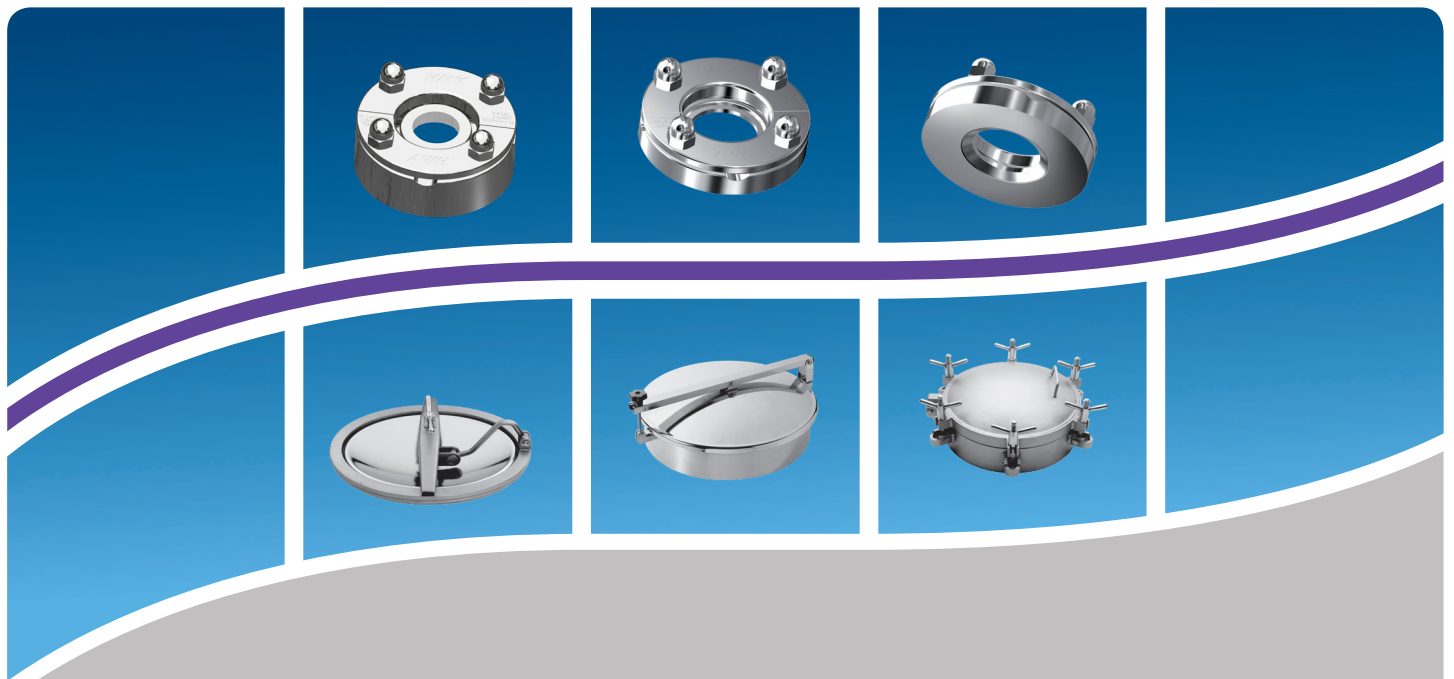


Tank Equipment



AWH Tank Equipment Contents

Table of Contents

| | Page |
|---|------|
| AWH Tank Equipment Contents | 3 |
| AWH-Connect DIN 11864-2 Nut Flange and Accessories | 4 |
| AWH-Connect and Accessories | 14 |
| AWH-Manlid Technical Information | 38 |
| P11 - Manlid with conical Frame | 39 |
| P11 - Manlid with flat Frame | 40 |
| P11 - Manlid with low Frame | 41 |
| P22 - Pressure Manlid | 42 |
| P23 - External Manlid with one Handle | 43 |
| P31 - Non-pressure Dome Lid, hygienic | 44 |
| P31 - Non-pressure Dome Lid, hygienic, with double Handle | 46 |
| P33 - Dome Lid, hygienic | 47 |
| P33 - Non-pressure Dome Lid, hygienic | 48 |

* An asterisk in the pricing column means: on request

**The dimensions listed in the catalog are in mm and are nominal dimensions.
The specified weights are approximate weights.**

AWH-Connect DIN 11864-2 Nut Flange and Accessories



The AWH-Connect is an aseptic and hygienic connection for containers. It was developed for the high requirements of the pharmaceutical and biotechnological industry, as well as those of the food industry. By using AWH-Connect 11864 instead of the classic AWH-Connect, hygiene is significantly improved due to the proven O-ring seal.

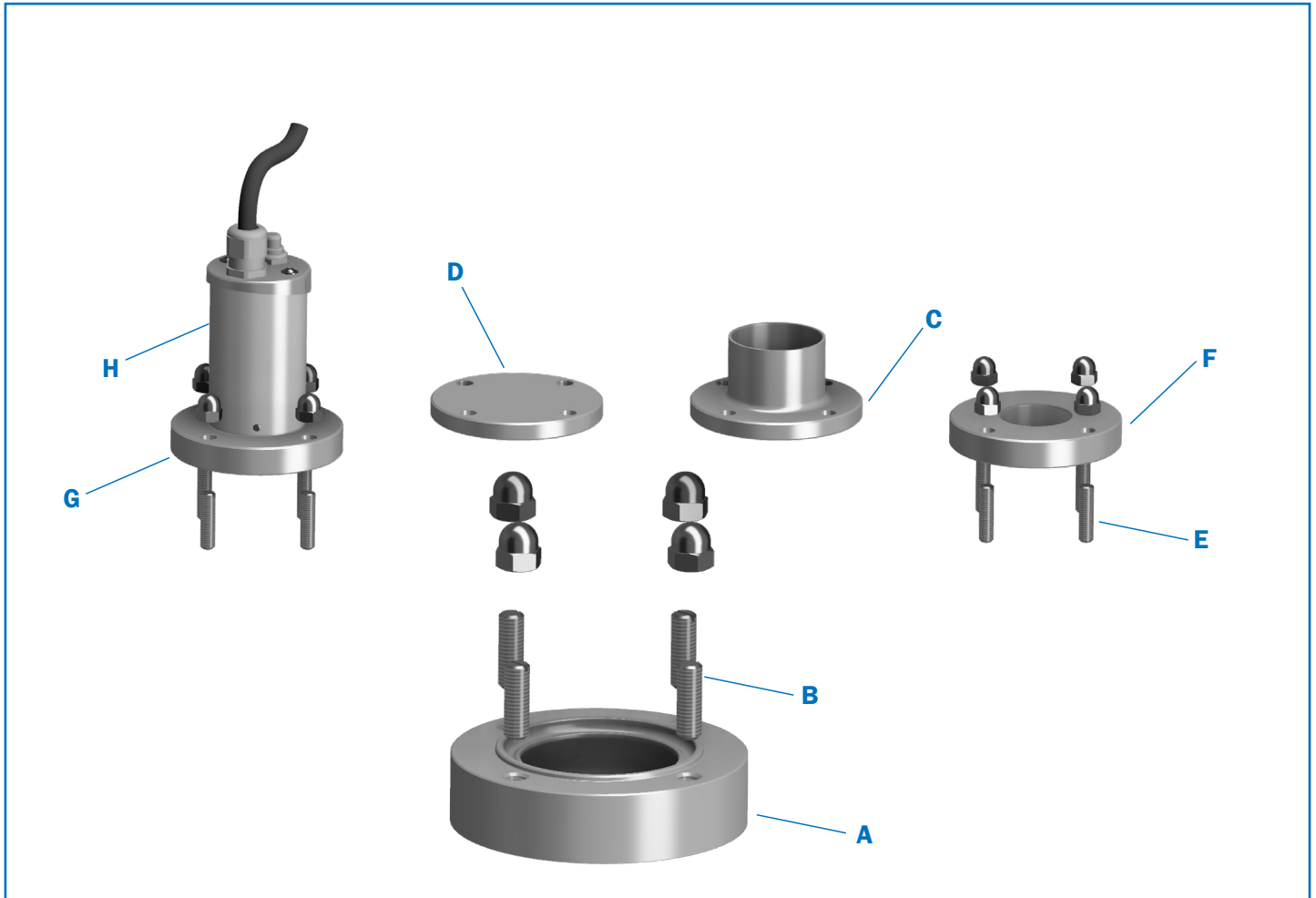
The AWH-Connect 11864-2 connection, compliant with the Pressure Equipment Directive, has been issued a PMA approval by DVS according to EN 13445 as well as AD2000-Merkblatt. Corresponding certificates can be provided on request.

Technical Parameters

| | | | | |
|------------------------------|---|---|--|---------------|
| Standard | Designed in accordance with the requirements of the Pressure Equipment Directive 2014/68/EU, EN 13445 and AD2000-Merkblätter. | | | |
| Materials | Block flange: | 1.4404; 1.4539; 1.4435 BN2 (Delta-Ferrit: ≤ 1,0%) DIN EN 10272 | | |
| | Thread bolts / cap nuts / in conformity with the PED 2014/68/EU: | A4-70 / A4-50 DIN EN ISO 3506-1 / -2 | | |
| Surfaces | Hygienic class: | H3 (Standard) | H4 (Optional) | H5 (Optional) |
| | Surfaces in contact with product: | Ra ≤ 0,8 µm | Ra ≤ 0,4 µm | Ra ≤ 0,25 µm |
| | other Surfaces : | Ra ≤ 1,0 µm | Ra ≤ 1,0 µm | Ra ≤ 1,0 µm |
| Operating pressure | | DN25-40 ; 1"-1½" -1 to 25 bar -14,5 to 362,6 psi | DN50-100 ; 2"-4" -1 to 16 bar -14,5 to 232 psi | |
| Operating temperature | -10 to +140 °C / -14 to 284 °F | | | |
| Thread bolts / Nuts | Thread bolts according to DIN 976-1 with 1x slot according to DIN 551 Cap nuts according to DIN 1587 Manufacturer recognized according to AD2000 Merkblatt (VdTÜV Merkblatt 1253/4) for design conforming to PED 2014/68/EU | | | |
| Seals | suitable for standard seals according to DIN11864/ DIN11853 | | | |
| Labelling | Block flange permanently marked with material, batch no. and manufacturer's trademark | | | |
| Documentation | Acceptance test certificate 3.1 acc. to EN 10204 AD2000-W2/W10 Optionally available for welded flange | | | |
| Delivery / Packaging | The product is delivered in a disassembled condition. Block flange and thread bolts/nuts are all securely packaged separately. Returns are only possible if the packaging has not been opened! Seals are not included in the scope of delivery. | | | |
| Options | Customized versions in terms of materials, surfaces, Block flange heights etc. can be supplied on request. Please get in touch with us! | | | |
| Notes | The operating limits (pressure and temperature) for the AWH-Connect depend on both the seal used and the connected component. The weakest individual component in the connection determines the max. permissible pressure and the max. temperature. The compatibility of the components to be connected must be checked in advance. After installing a component, it is to be ensured that the cap nuts are screwed on tightly before applying pressure to the system. Weight specifications are approximate weights. We reserve the right to make technical changes. | | | |

AWH-Connect DIN 11864-2 Nut Flange and Accessories

Configuration example



- A** Block flange 11864-2
- B** Screw kit AWH-Connect 11864
- C** Liner flange 11864-2 / 11853-2
- D** Blind liner flange 11864
- E** Screw kit AWH-Connect 11864 Sight glass/Light
- F** Sight glass for AWH-Connect 11864-2
- G** Sight glass AWH-Connect for Sight glass light fitting
- H** Sight glass light fitting for AWH-Connect 11864

Services

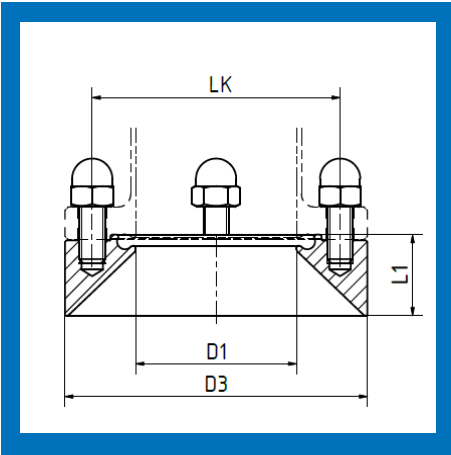
Block Flange Measuring Report

| Article No. | Description | Measuring points | Price netto/EUR |
|-----------------|---------------------------------|------------------|-----------------|
| 1611MP00RA00500 | Surface roughness (inner/outer) | 5 | 55,00 |
| 1611MP00FE00200 | Delta-Ferrite content (inner) | 2 | 45,00 |

Material Certificates

| Description | Price netto/EUR |
|---|-----------------|
| Acceptance test certificate 3.1 / AD2000-W2/W10 | 15,00 |

AWH-Connect DIN 11864-2 Nut Flange and Accessories



AWH-Connect DIN 11864-2 Nut Flange Series A

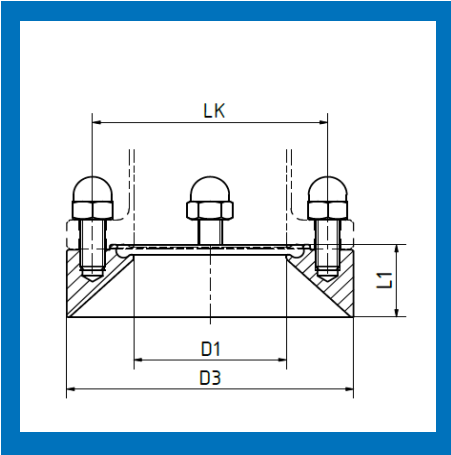
| DN DIN | max. perm. PN (bar) | D1 | D3 | L1 | LK | Pipe-Ø | Thread bolts | Weight [kg] |
|--------|---------------------|-----|-----|----|-----|---------|--------------|-------------|
| 10 | 25 | 10 | 54 | 25 | 37 | 13x1,5 | 4/ M8x25 | 0,35 |
| 10 | 25 | 10 | 54 | 38 | 37 | 13x1,5 | 4/ M8x25 | 0,50 |
| 10 | 25 | 10 | 54 | 51 | 37 | 13x1,5 | 4/ M8x25 | 0,65 |
| 15 | 25 | 16 | 59 | 25 | 42 | 19x1,5 | 4/ M8x25 | 0,38 |
| 15 | 25 | 16 | 59 | 38 | 42 | 19x1,5 | 4/ M8x25 | 0,54 |
| 15 | 25 | 16 | 59 | 51 | 42 | 19x1,5 | 4/ M8x25 | 0,71 |
| 20 | 25 | 20 | 64 | 25 | 47 | 23x1,5 | 4/ M8x25 | 0,42 |
| 20 | 25 | 20 | 64 | 38 | 47 | 23x1,5 | 4/ M8x25 | 0,60 |
| 20 | 25 | 20 | 64 | 51 | 47 | 23x1,5 | 4/ M8x25 | 0,79 |
| 25 | 25 | 26 | 70 | 25 | 53 | 29x1,5 | 4/ M8x25 | 0,46 |
| 25 | 25 | 26 | 70 | 38 | 53 | 29x1,5 | 4/ M8x25 | 0,67 |
| 25 | 25 | 26 | 70 | 51 | 53 | 29x1,5 | 4/ M8x25 | 0,88 |
| 32 | 25 | 32 | 76 | 25 | 59 | 35x1,5 | 4/ M8x25 | 0,51 |
| 32 | 25 | 32 | 76 | 38 | 59 | 35x1,5 | 4/ M8x25 | 0,72 |
| 32 | 25 | 32 | 76 | 51 | 59 | 35x1,5 | 4/ M8x25 | 0,96 |
| 40 | 25 | 38 | 82 | 25 | 65 | 41x1,5 | 4/ M8x25 | 0,56 |
| 40 | 25 | 38 | 82 | 38 | 65 | 41x1,5 | 4/ M8x25 | 0,81 |
| 40 | 25 | 38 | 82 | 51 | 65 | 41x1,5 | 4/ M8x25 | 1,06 |
| 50 | 16 | 50 | 94 | 25 | 77 | 53x1,5 | 4/ M8x25 | 0,64 |
| 50 | 16 | 50 | 94 | 38 | 77 | 53x1,5 | 4/ M8x25 | 0,94 |
| 50 | 16 | 50 | 94 | 51 | 77 | 53x1,5 | 4/ M8x25 | 1,24 |
| 65 | 16 | 66 | 113 | 25 | 95 | 70x2,0 | 8/ M8x25 | 0,89 |
| 65 | 16 | 66 | 113 | 38 | 95 | 70x2,0 | 8/ M8x25 | 1,28 |
| 65 | 16 | 66 | 113 | 51 | 95 | 70x2,0 | 8/ M8x25 | 1,68 |
| 80 | 16 | 81 | 133 | 25 | 112 | 85x2,0 | 8/ M10x35 | 1,40 |
| 80 | 16 | 81 | 133 | 38 | 112 | 85x2,0 | 8/ M10x35 | 1,80 |
| 80 | 16 | 81 | 133 | 51 | 112 | 85x2,0 | 8/ M10x35 | 2,29 |
| 100 | 16 | 100 | 159 | 25 | 137 | 104x2,0 | 8/ M10x35 | 1,60 |
| 100 | 16 | 100 | 159 | 38 | 137 | 104x2,0 | 8/ M10x35 | 2,33 |
| 100 | 16 | 100 | 159 | 51 | 137 | 104x2,0 | 8/ M10x35 | 3,02 |

AWH-Connect DIN 11864-2 Nut Flange and Accessories

AWH-Connect DIN 11864-2 Nut Flange Series A

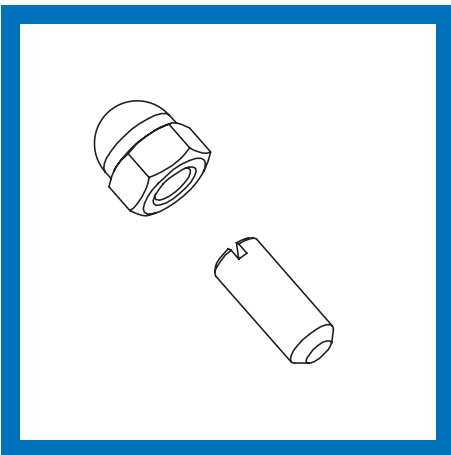
| 1.4404 /H3 | | | 1.4404 /H4 | | Fastening kit | | |
|------------|-----------|-------------|------------|---------------|---------------|-----------------|--|
| DN DIN | Price/EUR | Article No. | Price/EUR | Article No. | Price/EUR | Article No. | |
| 10 | 90,00 | 162001252 | 111,00 | 162001252/H4 | 15,00 | 1613M4082580031 | |
| 10 | 95,00 | 162001382 | 117,00 | 162001382/H4 | 15,00 | 1613M4082580031 | |
| 10 | 101,00 | 162001512 | 125,00 | 162001512/H4 | 15,00 | 1613M4082580031 | |
| | | | | | | | |
| 15 | 90,00 | 162003252 | 111,00 | 162003252/H4 | 15,00 | 1613M4082580031 | |
| 15 | 95,00 | 162003382 | 117,00 | 162003382/H4 | 15,00 | 1613M4082580031 | |
| 15 | 101,00 | 162003512 | 125,00 | 162003512/H4 | 15,00 | 1613M4082580031 | |
| | | | | | | | |
| 20 | 90,00 | 162004252 | 111,00 | 162004252/ H4 | 15,00 | 1613M4082580031 | |
| 20 | 95,00 | 162004382 | 117,00 | 162004382/ H4 | 15,00 | 1613M4082580031 | |
| 20 | 101,00 | 162004512 | 125,00 | 162004512/ H4 | 15,00 | 1613M4082580031 | |
| | | | | | | | |
| 25 | 115,00 | 162005252 | 142,00 | 162005252/ H4 | 15,00 | 1613M4082580031 | |
| 25 | 129,00 | 162005382 | 159,00 | 162005382/ H4 | 15,00 | 1613M4082580031 | |
| 25 | 140,00 | 162005512 | 173,00 | 162005512/ H4 | 15,00 | 1613M4082580031 | |
| | | | | | | | |
| 32 | 115,00 | 162006252 | 142,00 | 162006252/ H4 | 15,00 | 1613M4082580031 | |
| 32 | 129,00 | 162006382 | 159,00 | 162006382/ H4 | 15,00 | 1613M4082580031 | |
| 32 | 140,00 | 162006512 | 173,00 | 162006512/ H4 | 15,00 | 1613M4082580031 | |
| | | | | | | | |
| 40 | 115,00 | 162007252 | 142,00 | 162007252/ H4 | 15,00 | 1613M4082580031 | |
| 40 | 129,00 | 162007382 | 159,00 | 162007382/ H4 | 15,00 | 1613M4082580031 | |
| 40 | 140,00 | 162007512 | 173,00 | 162007512/ H4 | 15,00 | 1613M4082580031 | |
| | | | | | | | |
| 50 | 127,00 | 162008252 | 157,00 | 162008252/ H4 | 15,00 | 1613M4082580031 | |
| 50 | 141,00 | 162008382 | 174,00 | 162008382/ H4 | 15,00 | 1613M4082580031 | |
| 50 | 155,00 | 162008512 | 191,00 | 162008512/ H4 | 15,00 | 1613M4082580031 | |
| | | | | | | | |
| 65 | 183,00 | 162009252 | 226,00 | 162009252/ H4 | 30,00 | 1623M808252 | |
| 65 | 204,00 | 162009382 | 251,00 | 162009382/ H4 | 30,00 | 1623M808252 | |
| 65 | 225,00 | 162009512 | 277,00 | 162009512/ H4 | 30,00 | 1623M808252 | |
| | | | | | | | |
| 80 | 195,00 | 162010252 | 240,00 | 162010252/ H4 | 38,00 | 1623M810352 | |
| 80 | 242,00 | 162010382 | 298,00 | 162010382/ H4 | 38,00 | 1623M810352 | |
| 80 | 285,00 | 162010512 | 351,00 | 162010512/ H4 | 38,00 | 1623M810352 | |
| | | | | | | | |
| 100 | 278,00 | 162012252 | 342,00 | 162012252/ H4 | 38,00 | 1623M810352 | |
| 100 | 318,00 | 162012382 | 392,00 | 162012382/ H4 | 38,00 | 1623M810352 | |
| 100 | 334,00 | 162012512 | 411,00 | 162012512/ H4 | 38,00 | 1623M810352 | |
| | | | | | | | |
| | | | | | | | |
| | | | | | | | |
| | | | | | | | |
| | | | | | | | |
| | | | | | | | |
| | | | | | | | |
| | | | | | | | |
| | | | | | | | |
| | | | | | | | |

AWH-Connect DIN 11864-2 Nut Flange and Accessories



AWH-Connect DIN 11864-2 Nut Flange Series C

| DN | max. perm. PN [bar] | D1 | D3 | L1 | LK | Pipe-Ø | Thread bolts | Weight [kg] |
|--------|---------------------|-------|-----|----|-----|------------|--------------|-------------|
| 1/2" | 25 | 9,4 | 54 | 25 | 37 | 12,7x1,65 | 4/ M8x25 | 0,35 |
| 1/2" | 25 | 9,4 | 54 | 38 | 37 | 12,7x1,65 | 4/ M8x25 | 0,50 |
| 1/2" | 25 | 9,4 | 54 | 51 | 37 | 12,7x1,65 | 4/ M8x25 | 0,65 |
| 3/4" | 25 | 15,75 | 59 | 25 | 42 | 19,05x1,65 | 4/ M8x25 | 0,38 |
| 3/4" | 25 | 15,75 | 59 | 38 | 42 | 19,05x1,65 | 4/ M8x25 | 0,55 |
| 3/4" | 25 | 15,75 | 59 | 51 | 42 | 19,05x1,65 | 4/ M8x25 | 0,71 |
| 1" | 25 | 22,1 | 66 | 25 | 49 | 25,4x1,65 | 4/ M8x25 | 0,44 |
| 1" | 25 | 22,1 | 66 | 38 | 49 | 25,4x1,65 | 4/ M8x25 | 0,63 |
| 1" | 25 | 22,1 | 66 | 51 | 49 | 25,4x1,65 | 4/ M8x25 | 0,82 |
| 1 1/2" | 25 | 34,8 | 79 | 25 | 62 | 38,1x1,65 | 4/ M8x25 | 0,53 |
| 1 1/2" | 25 | 34,8 | 79 | 38 | 62 | 38,1x1,65 | 4/ M8x25 | 0,74 |
| 1 1/2" | 25 | 34,8 | 79 | 51 | 62 | 38,1x1,65 | 4/ M8x25 | 1,02 |
| 2" | 16 | 47,5 | 92 | 25 | 75 | 50,8x1,65 | 4/ M8x25 | 0,64 |
| 2" | 16 | 47,5 | 92 | 38 | 75 | 50,8x1,65 | 4/ M8x25 | 0,98 |
| 2" | 16 | 47,5 | 92 | 51 | 75 | 50,8x1,65 | 4/ M8x25 | 1,23 |
| 2 1/2" | 16 | 60,2 | 107 | 25 | 89 | 63,5x1,65 | 8/ M8x25 | 0,844 |
| 2 1/2" | 16 | 60,2 | 107 | 38 | 89 | 63,5x1,65 | 8/ M8x25 | 1,21 |
| 2 1/2" | 16 | 60,2 | 107 | 51 | 89 | 63,5x1,65 | 8/ M8x25 | 1,58 |
| 3" | 16 | 72,9 | 125 | 25 | 104 | 76,2x1,65 | 8/ M10x35 | 1,33 |
| 3" | 16 | 72,9 | 125 | 38 | 104 | 76,2x1,65 | 8/ M10x35 | 1,68 |
| 3" | 16 | 72,9 | 125 | 51 | 104 | 76,2x1,65 | 8/ M10x35 | 2,20 |
| 4" | 16 | 97,38 | 157 | 25 | 135 | 101,6x2,11 | 8/ M10x35 | 1,63 |
| 4" | 16 | 97,38 | 157 | 38 | 135 | 101,6x2,11 | 8/ M10x35 | 2,32 |
| 4" | 16 | 97,38 | 157 | 51 | 135 | 101,6x2,11 | 8/ M10x35 | 3,01 |



Fastening kit for AWH-Connect

| Thread bolts | Nuts | Weight [kg] |
|--------------|--------|-------------|
| 4/ M8x25 | 4/ M8 | 0,067 |
| 8/ M8x25 | 8/ M8 | 0,160 |
| 8/ M10x35 | 8/ M10 | 0,308 |

AWH-Connect DIN 11864-2 Nut Flange and Accessories

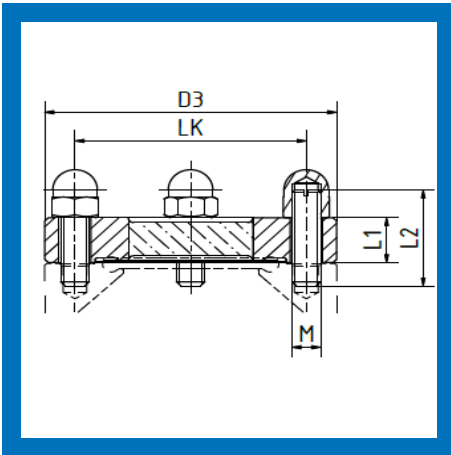
AWH-Connect DIN 11864-2 Nut Flange Series C

| 1.4404 /H3 | | 1.4404 /H4 | | Fastening kit | | |
|------------|-----------|-------------|-----------|---------------|-----------|-----------------|
| DN DIN | Price/EUR | Article No. | Price/EUR | Article No. | Price/EUR | Article No. |
| 1/2" | 90,00 | 162052252 | 111,00 | 162052252/H4 | 15,00 | 1613M4082580031 |
| 1/2" | 95,00 | 162052382 | 117,00 | 162052382/H4 | 15,00 | 1613M4082580031 |
| 1/2" | 101,00 | 162052512 | 125,00 | 162052512/H4 | 15,00 | 1613M4082580031 |
| | | | | | | |
| 3/4" | 90,00 | 162053252 | 111,00 | 162053252/H4 | 15,00 | 1613M4082580031 |
| 3/4" | 95,00 | 162053382 | 117,00 | 162053382/H4 | 15,00 | 1613M4082580031 |
| 3/4" | 101,00 | 162053512 | 125,00 | 162053512/H4 | 15,00 | 1613M4082580031 |
| | | | | | | |
| 1" | 115,00 | 162054252 | 142,00 | 162054252/H4 | 15,00 | 1613M4082580031 |
| 1" | 129,00 | 162054382 | 159,00 | 162054382/H4 | 15,00 | 1613M4082580031 |
| 1" | 140,00 | 162054512 | 173,00 | 162054512/H4 | 15,00 | 1613M4082580031 |
| | | | | | | |
| 1 1/2" | 115,00 | 162057252 | 142,00 | 162057252/H4 | 15,00 | 1613M4082580031 |
| 1 1/2" | 129,00 | 162057382 | 159,00 | 162057382/H4 | 15,00 | 1613M4082580031 |
| 1 1/2" | 140,00 | 162057512 | 173,00 | 162057512/H4 | 15,00 | 1613M4082580031 |
| | | | | | | |
| 2" | 127,00 | 162058252 | 157,00 | 162058252/H4 | 15,00 | 1613M4082580031 |
| 2" | 141,00 | 162058382 | 174,00 | 162058382/H4 | 15,00 | 1613M4082580031 |
| 2" | 155,00 | 162058512 | 191,00 | 162058512/H4 | 15,00 | 1613M4082580031 |
| | | | | | | |
| 2 1/2" | 155,00 | 162059252 | 191,00 | 162059252/H4 | 30,00 | 1623M808252 |
| 2 1/2" | 173,00 | 162059382 | 231,00 | 162059382/H4 | 30,00 | 1623M808252 |
| 2 1/2" | 190,00 | 162059512 | 234,00 | 162059512/H4 | 30,00 | 1623M808252 |
| | | | | | | |
| 3" | 183,00 | 162060252 | 226,00 | 162060252/H4 | 38,00 | 1623M810352 |
| 3" | 204,00 | 162060382 | 251,00 | 162060382/H4 | 38,00 | 1623M810352 |
| 3" | 225,00 | 162060512 | 277,00 | 162050512/H4 | 38,00 | 1623M810352 |
| | | | | | | |
| 4" | 278,00 | 162062252 | 342,00 | 162062252/H4 | 38,00 | 1623M810352 |
| 4" | 318,00 | 162062382 | 392,00 | 162062382/H4 | 38,00 | 1623M810352 |
| 4" | 334,00 | 162062512 | 411,00 | 162062512/H4 | 38,00 | 1623M810352 |
| | | | | | | |
| | | | | | | |
| | | | | | | |
| | | | | | | |
| | | | | | | |
| | | | | | | |
| | | | | | | |
| | | | | | | |

Fastening kit for AWH-Connect

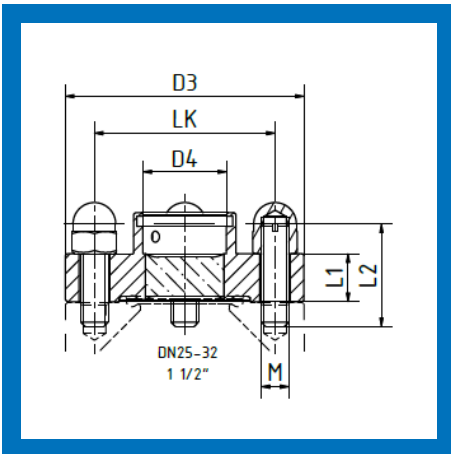
| A4-70/A4-50 | | | |
|-------------|-----------|-----------------|--|
| Nuts | Price/EUR | Article No. | |
| 4 /M8 | 15,00 | 1613M4082580031 | |
| 8 /M8 | 30,00 | 1623M808252 | |
| 8 /M10 | 38,00 | 1623M810352 | |
| | | | |
| | | | |
| | | | |
| | | | |
| | | | |
| | | | |

AWH-Connect DIN 11864-2 Nut Flange and Accessories



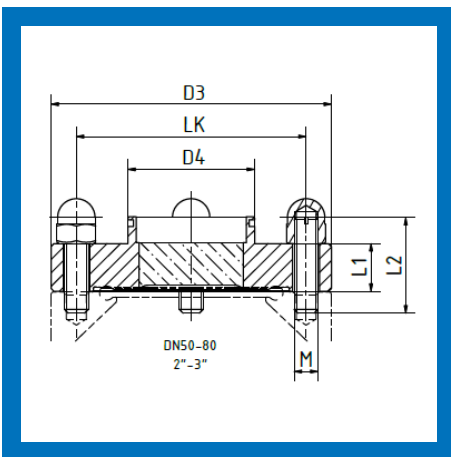
Sight Glass-Liner Flange DIN11864-2

| DN | max. perm. PN [bar] | D3 | L1 | L2 | LK | Pipe-Ø | Thread bolts | Weight [kg] |
|--------|---------------------|-----|----|----|-----|------------|--------------|-------------|
| 40 | 16 | 82 | 14 | 30 | 65 | 41x1,5 | 4/ M8x30 | 0,451 |
| 50 | 16 | 94 | 16 | 32 | 77 | 53x1,5 | 4/ M8x32 | 0,691 |
| 65 | 16 | 113 | 16 | 32 | 95 | 70x2,0 | 8/ M8x32 | 1,002 |
| 80 | 16 | 133 | 20 | 43 | 112 | 85x2,0 | 8/ M10x43 | 1,764 |
| 100 | 10 | 159 | 24 | 43 | 137 | 104x2,0 | 8/ M10x43 | 3,045 |
| | | | | | | | | |
| 2" | 16 | 92 | 14 | 30 | 75 | 50,8x1,65 | 4/ M8x30 | 0,594 |
| 2 1/2" | 16 | 107 | 16 | 32 | 89 | 63,5x1,65 | 8/ M8x32 | 0,877 |
| 3" | 16 | 125 | 20 | 43 | 104 | 76,2x1,65 | 8/ M10x43 | 1,523 |
| 4" | 10 | 157 | 24 | 43 | 135 | 101,6x2,11 | 8/ M10x43 | 2,881 |



Sight Glass-Liner Flange for Light DIN11864-2

| DN | max. perm. PN [bar] | D3 | D4 | L1 | L2 | LK | Pipe-Ø | Thread bolts | Weight [kg] |
|--------|---------------------|----|------|----|----|----|-----------|--------------|-------------|
| 25 | 16 | 70 | 24,5 | 14 | 30 | 53 | 29x1,5 | 4/ M8x30 | 0,368 |
| 32 | 16 | 76 | 24,5 | 14 | 30 | 59 | 35x1,5 | 4/ M8x30 | 0,437 |
| | | | | | | | | | |
| 1 1/2" | 16 | 79 | 24,5 | 14 | 30 | 62 | 38,1x1,65 | 4/ M8x30 | 0,475 |



Sight Glass-Liner Flange for Light DIN11864-2

| DN | max. perm. PN [bar] | D3 | D4 | L1 | L2 | LK | Pipe-Ø | Thread bolts | Weight [kg] |
|--------|---------------------|-----|------|------|----|-----|-----------|--------------|-------------|
| 50 | 16 | 94 | 42,5 | 16,3 | 32 | 77 | 53x1,5 | 4/ M8x32 | 0,742 |
| 65 | 16 | 113 | 42,5 | 16 | 32 | 95 | 70x2,0 | 4/ M8x32 | 1,092 |
| 80 | 16 | 133 | 42,5 | 20 | 32 | 112 | 85x2,0 | 8/ M10x43 | 1,907 |
| | | | | | | | | | |
| 2" | 16 | 92 | 24,5 | 14 | 30 | 75 | 50,8x1,65 | 4/ M8x30 | 0,706 |
| 2 1/2" | 16 | 107 | 24,5 | 18 | 35 | 89 | 63,5x1,65 | 8/ M8x35 | 1,082 |
| 3" | 16 | 125 | 24,5 | 20 | 43 | 104 | 76,2x1,65 | 8/ M10x43 | 1,662 |

AWH-Connect DIN 11864-2 Nut Flange and Accessories

Sight Glass-Liner Flange DIN11864-2

| 1.4462 | | Fastening kit | |
|-----------|-------------|---------------|-----------------|
| Price/EUR | Article No. | Price/EUR | Article No. |
| * | 162S07004 | 17,00 | 1613M4083080031 |
| * | 162S08004 | 18,00 | 1623M408322 |
| * | 162S09004 | 36,00 | 1623M808322 |
| * | 162S10004 | 40,00 | 1623M810432 |
| * | 162S12004 | 40,00 | 1623M810432 |
| * | 162S58004 | 17,00 | 1613M4083080031 |
| * | 162S59004 | 36,00 | 1623M808322 |
| * | 162S60004 | 40,00 | 1623M808432 |
| * | 162S62004 | 40,00 | 1623M810452 |

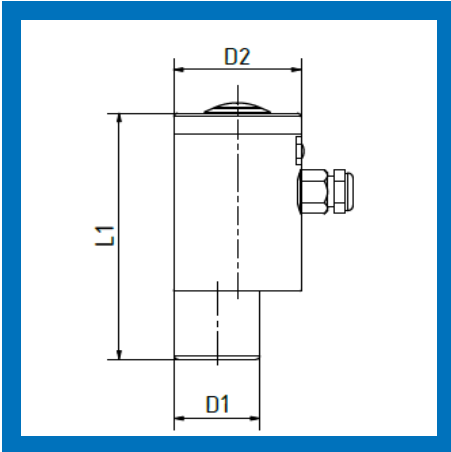
Sight Glass-Liner Flange for Light DIN11864-2

| 1.4462 | | Fastening kit | | Light | | |
|-----------|-------------|---------------|-----------------|-----------|--------|-------------|
| Price/EUR | Article No. | Price/EUR | Article No. | Price/EUR | Type | Article No. |
| * | 162L05004 | 17,00 | 1613M4083080031 | * | ESL 51 | 602307002 |
| * | 162L06004 | 17,00 | 1613M4083080031 | * | ESL 51 | 602307002 |
| * | 162L57004 | 17,00 | 1613M4083080031 | * | ESL 51 | 602307002 |

Sight Glass-Liner Flange for Light DIN11864-2

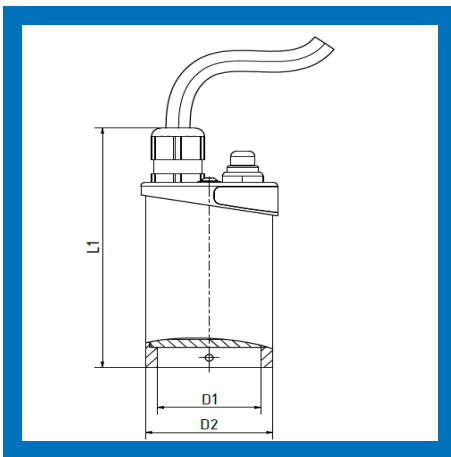
| 1.4462 | | Fastening kit | | Light | | |
|-----------|-------------|---------------|-----------------|-----------|--------|-------------|
| Price/EUR | Article No. | Price/EUR | Article No. | Price/EUR | Type | Article No. |
| * | 162L08004 | 18,00 | 1623M408322 | * | USL 33 | 602309003 |
| * | 162L09004 | 36,00 | 1623M808322 | * | USL 33 | 602309003 |
| * | 162L10004 | 40,00 | 1623M810432 | * | USL 33 | 602309003 |
| * | 162L58004 | 17,00 | 1613M4083080031 | * | USL 33 | 602309003 |
| * | 162L59004 | 36,00 | 1623M808322 | * | USL 33 | 602309003 |
| * | 162L60004 | 40,00 | 1623M810432 | * | USL 33 | 602309003 |

AWH-Connect DIN 11864-2 Nut Flange and Accessories



Sight glass light fitting

| Type | D1 | D2 | L1 | Article No. | Weight [kg] |
|--------------|------|----|----|-------------|-------------|
| ESL 51-LED-B | 23,5 | 35 | 72 | 602307002 | 0,36 |



Sight glass light fitting

| Type | D1 | D2 | L1 | Article No. | Weight [kg] |
|--------------|----|----|-----|-------------|-------------|
| USL 33-LED-B | 43 | 53 | 115 | 602309003 | 0,73 |

AWH-Connect and Accessories



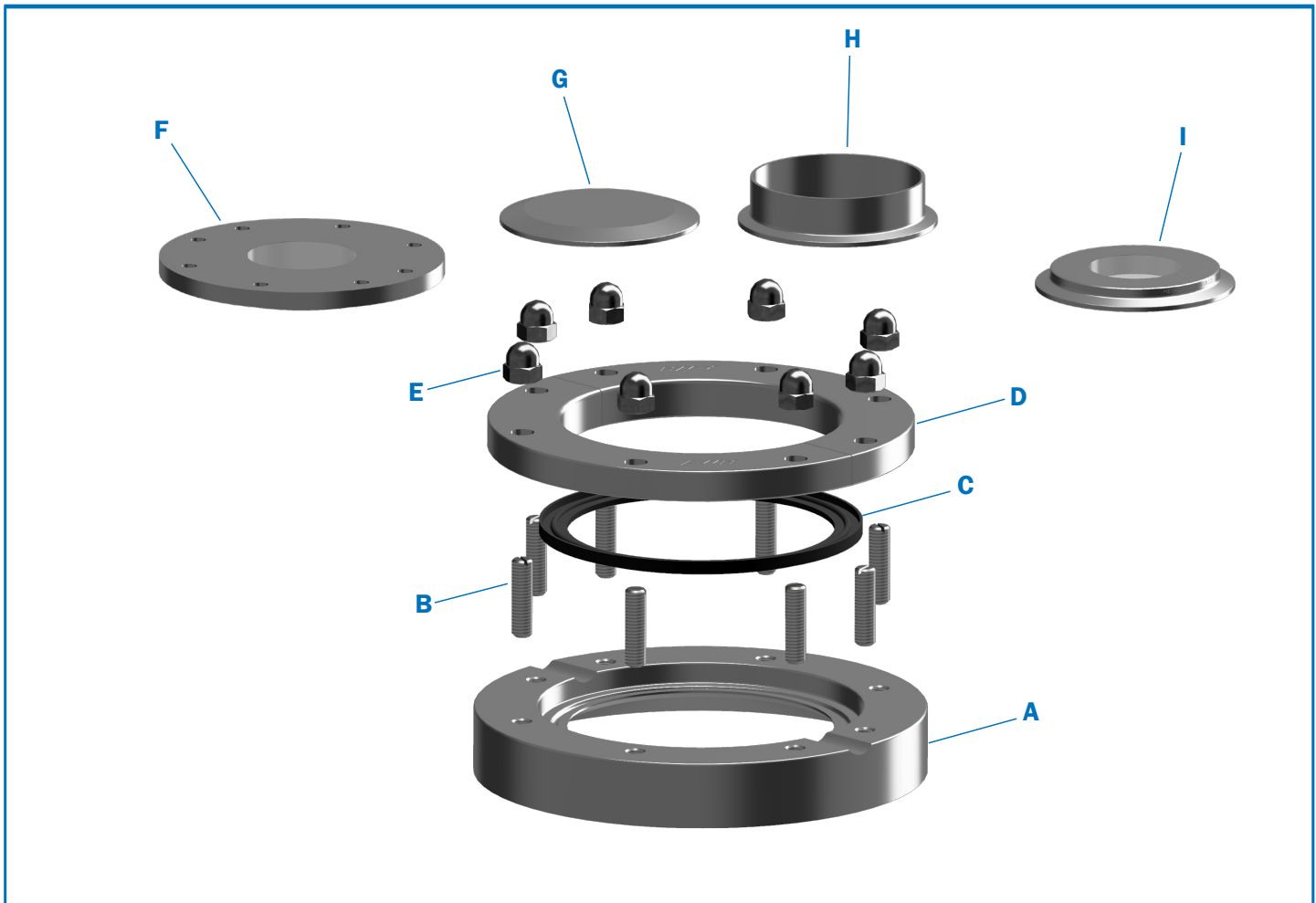
The AWH-Connect is an aseptic and hygienic connection for tanks. It is designed to comply with the strict requirements of the pharmaceutical, biotechnological and food industries. Using AWH-Connect in place of standard clamp connection allows you eliminate or minimize dead space in tanks.

In accordance with the Pressure Equipment Directive, the AWH-Connect have been subjected to a design examination by TÜV Nord acc. to EN 13445 standard and the AD2000 data sheet. Relevant certificates can be provided on request.

Technical Parameters

| | | | |
|------------------------------|---|--|---|
| Standard | Designed in accordance with the requirements of the Pressure Equipment Directive 2014/68/EU, EN 13445 and AD2000 regulations/ASME VIII Div. 2. | | |
| Materials | Welded flange: | 1.4435, BN2 (Delta ferrite: $\leq 1.0\%$) DIN EN 10272 | 316 L ASME-SA 479, ASTM A479 |
| | Split ring: | 1.4404 DIN EN 10272 | 316 L ASME-SA 479, ASTM A479 |
| | Thread bolts/cap nuts In conformity with the Pressure Equipment Directive 2014/68/EU: | A4-70 / A4-50 DIN EN ISO 3506-1 / -2 | A4-70 / A4-50 DIN EN ISO 3506-1 / -2 |
| | Thread bolts/cap nuts In conformity with ASME VIII: | SA193 B8M Cl.1 | SA194 8M Cl. 1 |
| Surfaces | Surfaces in contact with the product: | $Ra \leq 0.5 \mu m$ | |
| | Other surfaces: | $Ra \leq 1.2 \mu m$ | |
| Operating pressure | -1 to +7 bar / -14.5 to 101 psi | | |
| Operating temperature | -80 to +200 °C / -112 to 392 °F | | |
| Thread bolts / Nuts | Thread bolts acc. to DIN 976-1 with 1x slot acc. to DIN 551 Cap nuts acc. to DIN 1587 Manufacturer acc. to AD2000 data sheet (VdTÜV data sheet 1253/4) recognized for designs conforming to PED 2014/68/EU | | |
| Clamp connection | Suitable for clamp ferrules acc. to DIN 32676, ISO 2852, BS 4825 and ASME BPE | | |
| Seals | Suitable for standard seals acc. to DIN 32676, as well as ISO 2852 Type A and Type B | | |
| Labelling | Welded flange and split ring are permanently marked with material, batch no. and manufacturer's trademark | | |
| Documentation | Acceptance test certificate 3.1 acc. to EN 10204 AD2000-W2/W10 ASME SEC. II Optionally available for welded flange and split ring. | | |
| Delivery / Packaging | The product is delivered in a disassembled condition. The welded flange, split ring and thread bolts/nuts are all securely packaged separately. Returns are only possible if the packaging has not been opened! Seals are not included in the scope of delivery. | | |
| Options | Customized versions in terms of materials, surfaces, welded flange heights etc. can be supplied on request. Please get in touch with us! | | |
| Notes | The operating limits (pressure and temperature) for the AWH-Connect depend on both the seal used and the connected component. The weakest individual component in the connection determines the max. permissible pressure and the max. temperature. The compatibility of the components to be connected must be checked in advance. After installing a component, it is to be ensured that the cap nuts are screwed on tightly before applying pressure to the system. Weight specifications are approximate weights. We reserve the right to make technical changes. | | |

Configuration example



- A** Welded flange
- B** Thread bolts
- C** Seal
- D** Split ring
- E** Cap nut
- F** Sight glass flange
- G** Blind clamp acc. 32676
- H** Clamp acc. 32676
- I** Sight glass

Services

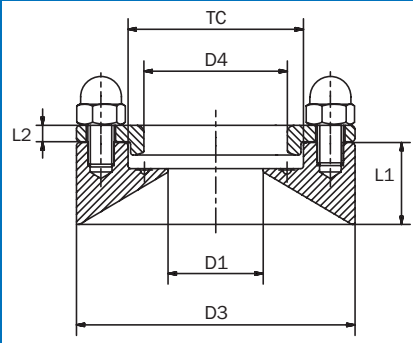
Welded Flange Measuring Report

| Article No. | Description | Measuring points | Net price/EUR |
|-----------------|---------------------------------|------------------|---------------|
| 1611MP00RA00300 | Surface roughness (inner/outer) | 3 | 35,00 |
| 1611MP00RA00500 | Surface roughness (inner/outer) | 5 | 55,00 |
| 1611MP00FE00200 | Delta-Ferrite content (inner) | 2 | 45,00 |

Material Certificates

| Article No. | Description | Net price/EUR |
|-------------|--|---------------|
| 27u | Acceptance test certificate 3.1 incl. marking transfer certificate | 15,00 |

AWH-Connect and Accessories



Pipe standard:
DIN 11866 Series A (DIN EN 10357, Series A)

AWH-Connect AD2000 Data Sheet (PED 2014/68/EU) DIN

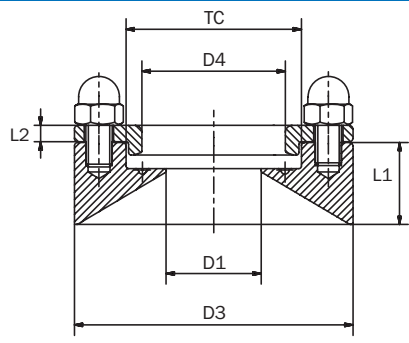
| DN DIN | D1 | D3 | D4 | L1 | L2 | Pipe-Ø | Thread bolts | TC | Weight [kg] |
|--------|-----|-----|------|----|----|-----------|--------------|------|-------------|
| 10 | 10 | 70 | 28.8 | 12 | 5 | 13 x 1.5 | 4/M8 x 20 | 34 | 0.5 |
| 10 | 10 | 70 | 28.8 | 25 | 5 | 13 x 1.5 | 4/M8 x 20 | 34 | 0.7 |
| 10 | 10 | 70 | 28.8 | 38 | 5 | 13 x 1.5 | 4/M8 x 20 | 34 | 0.9 |
| 10 | 10 | 70 | 28.8 | 51 | 5 | 13 x 1.5 | 4/M8 x 20 | 34 | 1.2 |
| 15 | 16 | 70 | 28.8 | 12 | 5 | 19 x 1.5 | 4/M8 x 20 | 34 | 0.5 |
| 15 | 16 | 70 | 28.8 | 25 | 5 | 19 x 1.5 | 4/M8 x 20 | 34 | 0.7 |
| 15 | 16 | 70 | 28.8 | 38 | 5 | 19 x 1.5 | 4/M8 x 20 | 34 | 0.9 |
| 15 | 16 | 70 | 28.8 | 51 | 5 | 19 x 1.5 | 4/M8 x 20 | 34 | 1.1 |
| 20 | 20 | 70 | 28.8 | 12 | 5 | 23 x 1.5 | 4/M8 x 20 | 34 | 0.4 |
| 20 | 20 | 70 | 28.8 | 25 | 5 | 23 x 1.5 | 4/M8 x 20 | 34 | 0.6 |
| 20 | 20 | 70 | 28.8 | 38 | 5 | 23 x 1.5 | 4/M8 x 20 | 34 | 0.9 |
| 20 | 20 | 70 | 28.8 | 51 | 5 | 23 x 1.5 | 4/M8 x 20 | 34 | 1.1 |
| 25 | 26 | 85 | 43.8 | 12 | 5 | 29 x 1.5 | 4/M8 x 20 | 50.5 | 0.6 |
| 25 | 26 | 85 | 43.8 | 25 | 5 | 29 x 1.5 | 4/M8 x 20 | 50.5 | 0.9 |
| 25 | 26 | 85 | 43.8 | 38 | 5 | 29 x 1.5 | 4/M8 x 20 | 50.5 | 1.2 |
| 25 | 26 | 85 | 43.8 | 51 | 5 | 29 x 1.5 | 4/M8 x 20 | 50.5 | 1.5 |
| 32 | 32 | 85 | 43.8 | 12 | 5 | 35 x 1.5 | 4/M8 x 20 | 50.5 | 0.6 |
| 32 | 32 | 85 | 43.8 | 25 | 5 | 35 x 1.5 | 4/M8 x 20 | 50.5 | 0.8 |
| 32 | 32 | 85 | 43.8 | 38 | 5 | 35 x 1.5 | 4/M8 x 20 | 50.5 | 1.0 |
| 32 | 32 | 85 | 43.8 | 51 | 5 | 35 x 1.5 | 4/M8 x 20 | 50.5 | 1.3 |
| 40 | 38 | 85 | 43.8 | 12 | 5 | 41 x 1.5 | 4/M8 x 20 | 50.5 | 0.5 |
| 40 | 38 | 85 | 43.8 | 25 | 5 | 41 x 1.5 | 4/M8 x 20 | 50.5 | 0.8 |
| 40 | 38 | 85 | 43.8 | 38 | 5 | 41 x 1.5 | 4/M8 x 20 | 50.5 | 1.0 |
| 40 | 38 | 85 | 43.8 | 51 | 5 | 41 x 1.5 | 4/M8 x 20 | 50.5 | 1.4 |
| 50 | 50 | 100 | 55 | 15 | 6 | 53 x 1.5 | 4/M8 x 20 | 64 | 0.8 |
| 50 | 50 | 100 | 55 | 25 | 6 | 53 x 1.5 | 4/M8 x 20 | 64 | 1.1 |
| 50 | 50 | 100 | 55 | 38 | 6 | 53 x 1.5 | 4/M8 x 20 | 64 | 1.4 |
| 50 | 50 | 100 | 55 | 51 | 6 | 53 x 1.5 | 4/M8 x 20 | 64 | 1.7 |
| 65 | 66 | 131 | 77 | 15 | 10 | 70 x 2.0 | 6/M8 x 25 | 91 | 1.5 |
| 65 | 66 | 131 | 77 | 25 | 10 | 70 x 2.0 | 6/M8 x 25 | 91 | 1.9 |
| 65 | 66 | 131 | 77 | 38 | 10 | 70 x 2.0 | 6/M8 x 25 | 91 | 2.4 |
| 65 | 66 | 131 | 77 | 51 | 10 | 70 x 2.0 | 6/M8 x 25 | 91 | 3.0 |
| 80 | 81 | 146 | 93.5 | 15 | 10 | 85 x 2.0 | 6/M8 x 25 | 106 | 1.7 |
| 80 | 81 | 146 | 93.5 | 25 | 10 | 85 x 2.0 | 6/M8 x 25 | 106 | 2.2 |
| 80 | 81 | 146 | 93.5 | 38 | 10 | 85 x 2.0 | 6/M8 x 25 | 106 | 2.8 |
| 80 | 81 | 146 | 93.5 | 51 | 10 | 85 x 2.0 | 6/M8 x 25 | 106 | 3.4 |
| 100 | 100 | 170 | 105 | 15 | 12 | 104 x 2.0 | 8/M8 x 30 | 119 | 2.5 |
| 100 | 100 | 170 | 105 | 25 | 12 | 104 x 2.0 | 8/M8 x 30 | 119 | 3.0 |
| 100 | 100 | 170 | 105 | 38 | 12 | 104 x 2.0 | 8/M8 x 30 | 119 | 3.8 |
| 100 | 100 | 170 | 105 | 51 | 12 | 104 x 2.0 | 8/M8 x 30 | 119 | 4.7 |

AWH-Connect and Accessories

AWH-Connect AD2000 Data Sheet (PED 2014/68/EU) DIN

| Complete 1.4435/1.4404 (316L) | | | Split ring 1.4404 (316L) | | Fastening kit | | |
|-------------------------------|-----------|----------------------|--------------------------|----------------------|---------------|----------------------|--|
| DN DIN | Price/EUR | Article No. | Price/EUR | Article No. | Price/EUR | Article No. | |
| 10 | 101,00 | 161 0 D010 12 142 11 | 32,00 | 161 2 G034 05 022 11 | 14,00 | 161 3 M408 20 800 31 | |
| 10 | 111,00 | 161 0 D010 25 142 11 | 32,00 | 161 2 G034 05 022 11 | 14,00 | 161 3 M408 20 800 31 | |
| 10 | 116,00 | 161 0 D010 38 142 11 | 32,00 | 161 2 G034 05 022 11 | 14,00 | 161 3 M408 20 800 31 | |
| 10 | 123,00 | 161 0 D010 51 142 11 | 32,00 | 161 2 G034 05 022 11 | 14,00 | 161 3 M408 20 800 31 | |
| 15 | 101,00 | 161 0 D015 12 142 11 | 32,00 | 161 2 G034 05 022 11 | 14,00 | 161 3 M408 20 800 31 | |
| 15 | 111,00 | 161 0 D015 25 142 11 | 32,00 | 161 2 G034 05 022 11 | 14,00 | 161 3 M408 20 800 31 | |
| 15 | 116,00 | 161 0 D015 38 142 11 | 32,00 | 161 2 G034 05 022 11 | 14,00 | 161 3 M408 20 800 31 | |
| 15 | 123,00 | 161 0 D015 51 142 11 | 32,00 | 161 2 G034 05 022 11 | 14,00 | 161 3 M408 20 800 31 | |
| 20 | 101,00 | 161 0 D020 12 142 11 | 32,00 | 161 2 G034 05 022 11 | 14,00 | 161 3 M408 20 800 31 | |
| 20 | 111,00 | 161 0 D020 25 142 11 | 32,00 | 161 2 G034 05 022 11 | 14,00 | 161 3 M408 20 800 31 | |
| 20 | 116,00 | 161 0 D020 38 142 11 | 32,00 | 161 2 G034 05 022 11 | 14,00 | 161 3 M408 20 800 31 | |
| 20 | 123,00 | 161 0 D020 51 142 11 | 32,00 | 161 2 G034 05 022 11 | 14,00 | 161 3 M408 20 800 31 | |
| 25 | 119,00 | 161 0 D025 12 142 11 | 35,00 | 161 2 G050 05 022 11 | 14,00 | 161 3 M408 20 800 31 | |
| 25 | 127,00 | 161 0 D025 25 142 11 | 35,00 | 161 2 G050 05 022 11 | 14,00 | 161 3 M408 20 800 31 | |
| 25 | 143,00 | 161 0 D025 38 142 11 | 35,00 | 161 2 G050 05 022 11 | 14,00 | 161 3 M408 20 800 31 | |
| 25 | 162,00 | 161 0 D025 51 142 11 | 35,00 | 161 2 G050 05 022 11 | 14,00 | 161 3 M408 20 800 31 | |
| 32 | 119,00 | 161 0 D032 12 142 11 | 35,00 | 161 2 G050 05 022 11 | 14,00 | 161 3 M408 20 800 31 | |
| 32 | 127,00 | 161 0 D032 25 142 11 | 35,00 | 161 2 G050 05 022 11 | 14,00 | 161 3 M408 20 800 31 | |
| 32 | 143,00 | 161 0 D032 38 142 11 | 35,00 | 161 2 G050 05 022 11 | 14,00 | 161 3 M408 20 800 31 | |
| 32 | 162,00 | 161 0 D032 51 142 11 | 35,00 | 161 2 G050 05 022 11 | 14,00 | 161 3 M408 20 800 31 | |
| 40 | 119,00 | 161 0 D040 12 142 11 | 35,00 | 161 2 G050 05 022 11 | 14,00 | 161 3 M408 20 800 31 | |
| 40 | 127,00 | 161 0 D040 25 142 11 | 35,00 | 161 2 G050 05 022 11 | 14,00 | 161 3 M408 20 800 31 | |
| 40 | 143,00 | 161 0 D040 38 142 11 | 35,00 | 161 2 G050 05 022 11 | 14,00 | 161 3 M408 20 800 31 | |
| 40 | 162,00 | 161 0 D040 51 142 11 | 35,00 | 161 2 G050 05 022 11 | 14,00 | 161 3 M408 20 800 31 | |
| 50 | 145,00 | 161 0 D050 15 142 11 | 44,00 | 161 2 G064 06 022 11 | 14,00 | 161 3 M408 20 800 31 | |
| 50 | 151,00 | 161 0 D050 25 142 11 | 44,00 | 161 2 G064 06 022 11 | 14,00 | 161 3 M408 20 800 31 | |
| 50 | 171,00 | 161 0 D050 38 142 11 | 44,00 | 161 2 G064 06 022 11 | 14,00 | 161 3 M408 20 800 31 | |
| 50 | 188,00 | 161 0 D050 51 142 11 | 44,00 | 161 2 G064 06 022 11 | 14,00 | 161 3 M408 20 800 31 | |
| 65 | 220,00 | 161 0 D065 15 142 11 | 101,00 | 161 2 G091 10 022 11 | 23,00 | 161 3 M608 25 800 31 | |
| 65 | 224,00 | 161 0 D065 25 142 11 | 101,00 | 161 2 G091 10 022 11 | 23,00 | 161 3 M608 25 800 31 | |
| 65 | 247,00 | 161 0 D065 38 142 11 | 101,00 | 161 2 G091 10 022 11 | 23,00 | 161 3 M608 25 800 31 | |
| 65 | 264,00 | 161 0 D065 51 142 11 | 101,00 | 161 2 G091 10 022 11 | 23,00 | 161 3 M608 25 800 31 | |
| 80 | 289,00 | 161 0 D080 15 142 11 | 120,00 | 161 2 G106 10 022 11 | 23,00 | 161 3 M608 25 800 31 | |
| 80 | 315,00 | 161 0 D080 25 142 11 | 120,00 | 161 2 G106 10 022 11 | 23,00 | 161 3 M608 25 800 31 | |
| 80 | 362,00 | 161 0 D080 38 142 11 | 120,00 | 161 2 G106 10 022 11 | 23,00 | 161 3 M608 25 800 31 | |
| 80 | 405,00 | 161 0 D080 51 142 11 | 120,00 | 161 2 G106 10 022 11 | 23,00 | 161 3 M608 25 800 31 | |
| 100 | 398,00 | 161 0 D100 15 142 11 | 181,00 | 161 2 G119 12 022 11 | 33,00 | 161 3 M808 30 800 31 | |
| 100 | 459,00 | 161 0 D100 25 142 11 | 181,00 | 161 2 G119 12 022 11 | 33,00 | 161 3 M808 30 800 31 | |
| 100 | 499,00 | 161 0 D100 38 142 11 | 181,00 | 161 2 G119 12 022 11 | 33,00 | 161 3 M808 30 800 31 | |
| 100 | 515,00 | 161 0 D100 51 142 11 | 181,00 | 161 2 G119 12 022 11 | 33,00 | 161 3 M808 30 800 31 | |

AWH-Connect and Accessories



Pipe standard:
DIN 11866 Series B (DIN EN ISO 1127)

AWH-Connect AD2000 Data Sheet (PED 2014/68/EU) ISO

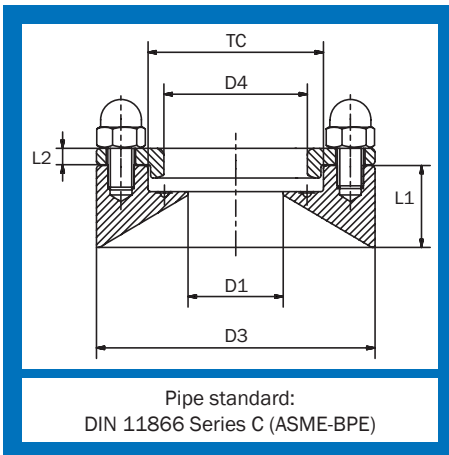
| DN ISO | D1 | D3 | D4 | L1 | L2 | Pipe-Ø | Thread bolts | TC | Weight [kg] |
|--------|-------|-----|------|----|-----|-------------|--------------|------|-------------|
| 13.5 | 10.3 | 55 | 20 | 12 | 5 | 13.5 x 1.6 | 4/M6 x 16 | 25 | 0.3 |
| 13.5 | 10.3 | 55 | 20 | 25 | 5 | 13.5 x 1.6 | 4/M6 x 16 | 25 | 0.4 |
| 13.5 | 10.3 | 55 | 20 | 38 | 5 | 13.5 x 1.6 | 4/M6 x 16 | 25 | 0.5 |
| 13.5 | 10.3 | 55 | 20 | 51 | 5 | 13.5 x 1.6 | 4/M6 x 16 | 25 | 0.7 |
| 17.2 | 14 | 70 | 28.8 | 12 | 5 | 17.2 x 1.6 | 4/M8 x 20 | 34 | 0.5 |
| 17.2 | 14 | 70 | 28.8 | 25 | 5 | 17.2 x 1.6 | 4/M8 x 20 | 34 | 0.7 |
| 17.2 | 14 | 70 | 28.8 | 38 | 5 | 17.2 x 1.6 | 4/M8 x 20 | 34 | 0.9 |
| 17.2 | 14 | 70 | 28.8 | 51 | 5 | 17.2 x 1.6 | 4/M8 x 20 | 34 | 1.1 |
| 21.3 | 18.1 | 70 | 28.8 | 12 | 5 | 21.3 x 1.6 | 4/M8 x 20 | 34 | 0.5 |
| 21.3 | 18.1 | 70 | 28.8 | 25 | 5 | 21.3 x 1.6 | 4/M8 x 20 | 34 | 0.7 |
| 21.3 | 18.1 | 70 | 28.8 | 38 | 5 | 21.3 x 1.6 | 4/M8 x 20 | 34 | 0.9 |
| 21.3 | 18.1 | 70 | 28.8 | 51 | 5 | 21.3 x 1.6 | 4/M8 x 20 | 34 | 1.1 |
| 26.9 | 23.7 | 85 | 43.8 | 12 | 5 | 26.9 x 1.6 | 4/M8 x 20 | 50.5 | 0.6 |
| 26.9 | 23.7 | 85 | 43.8 | 25 | 5 | 26.9 x 1.6 | 4/M8 x 20 | 50.5 | 0.9 |
| 26.9 | 23.7 | 85 | 43.8 | 38 | 5 | 26.9 x 1.6 | 4/M8 x 20 | 50.5 | 1.2 |
| 26.9 | 23.7 | 85 | 43.8 | 51 | 5 | 26.9 x 1.6 | 4/M8 x 20 | 50.5 | 1.5 |
| 33.7 | 29.7 | 85 | 43.8 | 12 | 5 | 33.7 x 2.0 | 4/M8 x 20 | 50.5 | 0.6 |
| 33.7 | 29.7 | 85 | 43.8 | 25 | 5 | 33.7 x 2.0 | 4/M8 x 20 | 50.5 | 0.8 |
| 33.7 | 29.7 | 85 | 43.8 | 38 | 5 | 33.7 x 2.0 | 4/M8 x 20 | 50.5 | 1.1 |
| 33.7 | 29.7 | 85 | 43.8 | 51 | 5 | 33.7 x 2.0 | 4/M8 x 20 | 50.5 | 1.4 |
| 42.4 | 38.4 | 100 | 55 | 15 | 6 | 42.4 x 2.0 | 4/M8 x 20 | 64 | 0.9 |
| 42.4 | 38.4 | 100 | 55 | 25 | 6 | 42.4 x 2.0 | 4/M8 x 20 | 64 | 1.1 |
| 42.4 | 38.4 | 100 | 55 | 38 | 6 | 42.4 x 2.0 | 4/M8 x 20 | 64 | 1.5 |
| 42.4 | 38.4 | 100 | 55 | 51 | 6 | 42.4 x 2.0 | 4/M8 x 20 | 64 | 1.9 |
| 48.3 | 44.3 | 100 | 55 | 15 | 6 | 48.3 x 2.0 | 4/M8 x 20 | 64 | 0.8 |
| 48.3 | 44.3 | 100 | 55 | 25 | 6 | 48.3 x 2.0 | 4/M8 x 20 | 64 | 1.1 |
| 48.3 | 44.3 | 100 | 55 | 38 | 6 | 48.3 x 2.0 | 4/M8 x 20 | 64 | 1.4 |
| 48.3 | 44.3 | 100 | 55 | 51 | 6 | 48.3 x 2.0 | 4/M8 x 20 | 64 | 1.8 |
| 60.3 | 56.3 | 112 | 65.5 | 15 | 9.5 | 60.3 x 2.0 | 4/M8 x 25 | 77.5 | 1.1 |
| 60.3 | 56.3 | 112 | 65.5 | 25 | 9.5 | 60.3 x 2.0 | 4/M8 x 25 | 77.5 | 1.4 |
| 60.3 | 56.3 | 112 | 65.5 | 38 | 9.5 | 60.3 x 2.0 | 4/M8 x 25 | 77.5 | 1.8 |
| 60.3 | 56.3 | 112 | 65.5 | 51 | 9.5 | 60.3 x 2.0 | 4/M8 x 25 | 77.5 | 2.3 |
| 76.1 | 72.1 | 131 | 77 | 15 | 10 | 76.1 x 2.0 | 6/M8 x 25 | 91 | 1.5 |
| 76.1 | 72.1 | 131 | 77 | 25 | 10 | 76.1 x 2.0 | 6/M8 x 25 | 91 | 1.8 |
| 76.1 | 72.1 | 131 | 77 | 38 | 10 | 76.1 x 2.0 | 6/M8 x 25 | 91 | 2.3 |
| 76.1 | 72.1 | 131 | 77 | 51 | 10 | 76.1 x 2.0 | 6/M8 x 25 | 91 | 2.9 |
| 88.9 | 84.3 | 146 | 93.5 | 15 | 10 | 88.9 x 2.3 | 6/M8 x 25 | 106 | 1.7 |
| 88.9 | 84.3 | 146 | 93.5 | 25 | 10 | 88.9 x 2.3 | 6/M8 x 25 | 106 | 2.1 |
| 88.9 | 84.3 | 146 | 93.5 | 38 | 10 | 88.9 x 2.3 | 6/M8 x 25 | 106 | 2.7 |
| 88.9 | 84.3 | 146 | 93.5 | 51 | 10 | 88.9 x 2.3 | 6/M8 x 25 | 106 | 3.4 |
| 114.3 | 109.7 | 170 | 115 | 15 | 12 | 114.3 x 2.3 | 8/M8 x 30 | 130 | 2.1 |
| 114.3 | 109.7 | 170 | 115 | 25 | 12 | 114.3 x 2.3 | 8/M8 x 30 | 130 | 2.6 |
| 114.3 | 109.7 | 170 | 115 | 38 | 12 | 114.3 x 2.3 | 8/M8 x 30 | 130 | 3.2 |
| 114.3 | 109.7 | 170 | 115 | 51 | 12 | 114.3 x 2.3 | 8/M8 x 30 | 130 | 4.0 |

AWH-Connect and Accessories

AWH-Connect AD2000 Data Sheet (PED 2014/68/EU) ISO

| Complete 1.4435/1.4404 (316L) | | | Split ring 1.4404 (316L) | | Fastening kit | | |
|-------------------------------|-----------|----------------------|--------------------------|----------------------|---------------|----------------------|--|
| DN ISO | Price/EUR | Article No. | Price/EUR | Article No. | Price/EUR | Article No. | |
| 13.5 | 96,00 | 161 0 I013 12 142 11 | 33,00 | 161 2 G025 05 022 11 | 16,00 | 161 3 M406 16 800 31 | |
| 13.5 | 99,00 | 161 0 I013 25 142 11 | 33,00 | 161 2 G025 05 022 11 | 16,00 | 161 3 M406 16 800 31 | |
| 13.5 | 106,00 | 161 0 I013 38 142 11 | 33,00 | 161 2 G025 05 022 11 | 16,00 | 161 3 M406 16 800 31 | |
| 13.5 | 111,00 | 161 0 I013 51 142 11 | 33,00 | 161 2 G025 05 022 11 | 16,00 | 161 3 M406 16 800 31 | |
| 17.2 | 101,00 | 161 0 I017 12 142 11 | 32,00 | 161 2 G034 05 022 11 | 14,00 | 161 3 M408 20 800 31 | |
| 17.2 | 111,00 | 161 0 I017 25 142 11 | 32,00 | 161 2 G034 05 022 11 | 14,00 | 161 3 M408 20 800 31 | |
| 17.2 | 116,00 | 161 0 I017 38 142 11 | 32,00 | 161 2 G034 05 022 11 | 14,00 | 161 3 M408 20 800 31 | |
| 17.2 | 123,00 | 161 0 I017 51 142 11 | 32,00 | 161 2 G034 05 022 11 | 14,00 | 161 3 M408 20 800 31 | |
| 21.3 | 101,00 | 161 0 I021 12 142 11 | 32,00 | 161 2 G034 05 022 11 | 14,00 | 161 3 M408 20 800 31 | |
| 21.3 | 111,00 | 161 0 I021 25 142 11 | 32,00 | 161 2 G034 05 022 11 | 14,00 | 161 3 M408 20 800 31 | |
| 21.3 | 116,00 | 161 0 I021 38 142 11 | 32,00 | 161 2 G034 05 022 11 | 14,00 | 161 3 M408 20 800 31 | |
| 21.3 | 123,00 | 161 0 I021 51 142 11 | 32,00 | 161 2 G034 05 022 11 | 14,00 | 161 3 M408 20 800 31 | |
| 26.9 | 119,00 | 161 0 I026 12 142 11 | 35,00 | 161 2 G050 05 022 11 | 14,00 | 161 3 M408 20 800 31 | |
| 26.9 | 127,00 | 161 0 I026 25 142 11 | 35,00 | 161 2 G050 05 022 11 | 14,00 | 161 3 M408 20 800 31 | |
| 26.9 | 143,00 | 161 0 I026 38 142 11 | 35,00 | 161 2 G050 05 022 11 | 14,00 | 161 3 M408 20 800 31 | |
| 26.9 | 162,00 | 161 0 I026 51 142 11 | 35,00 | 161 2 G050 05 022 11 | 14,00 | 161 3 M408 20 800 31 | |
| 33.7 | 119,00 | 161 0 I033 12 142 11 | 35,00 | 161 2 G050 05 022 11 | 14,00 | 161 3 M408 20 800 31 | |
| 33.7 | 127,00 | 161 0 I033 25 142 11 | 35,00 | 161 2 G050 05 022 11 | 14,00 | 161 3 M408 20 800 31 | |
| 33.7 | 143,00 | 161 0 I033 38 142 11 | 35,00 | 161 2 G050 05 022 11 | 14,00 | 161 3 M408 20 800 31 | |
| 33.7 | 162,00 | 161 0 I033 51 142 11 | 35,00 | 161 2 G050 05 022 11 | 14,00 | 161 3 M408 20 800 31 | |
| 42.4 | 145,00 | 161 0 I042 15 142 11 | 44,00 | 161 2 G064 05 022 11 | 14,00 | 161 3 M408 20 800 31 | |
| 42.4 | 151,00 | 161 0 I042 25 142 11 | 44,00 | 161 2 G064 05 022 11 | 14,00 | 161 3 M408 20 800 31 | |
| 42.4 | 171,00 | 161 0 I042 38 142 11 | 44,00 | 161 2 G064 05 022 11 | 14,00 | 161 3 M408 20 800 31 | |
| 42.4 | 188,00 | 161 0 I042 51 142 11 | 44,00 | 161 2 G064 05 022 11 | 14,00 | 161 3 M408 20 800 31 | |
| 48.3 | 145,00 | 161 0 I048 15 142 11 | 44,00 | 161 2 G064 06 022 11 | 14,00 | 161 3 M408 20 800 31 | |
| 48.3 | 151,00 | 161 0 I048 25 142 11 | 44,00 | 161 2 G064 06 022 11 | 14,00 | 161 3 M408 20 800 31 | |
| 48.3 | 171,00 | 161 0 I048 38 142 11 | 44,00 | 161 2 G064 06 022 11 | 14,00 | 161 3 M408 20 800 31 | |
| 48.3 | 188,00 | 161 0 I048 51 142 11 | 44,00 | 161 2 G064 06 022 11 | 14,00 | 161 3 M408 20 800 31 | |
| 60.3 | 159,00 | 161 0 I060 15 142 11 | 57,00 | 161 2 G077 09 022 11 | 15,00 | 161 3 M408 25 800 31 | |
| 60.3 | 172,00 | 161 0 I060 25 142 11 | 57,00 | 161 2 G077 09 022 11 | 15,00 | 161 3 M408 25 800 31 | |
| 60.3 | 190,00 | 161 0 I060 38 142 11 | 57,00 | 161 2 G077 09 022 11 | 15,00 | 161 3 M408 25 800 31 | |
| 60.3 | 208,00 | 161 0 I060 51 142 11 | 57,00 | 161 2 G077 09 022 11 | 15,00 | 161 3 M408 25 800 31 | |
| 76.1 | 220,00 | 161 0 I076 15 142 11 | 101,00 | 161 2 G091 10 022 11 | 23,00 | 161 3 M608 25 800 31 | |
| 76.1 | 224,00 | 161 0 I076 25 142 11 | 101,00 | 161 2 G091 10 022 11 | 23,00 | 161 3 M608 25 800 31 | |
| 76.1 | 247,00 | 161 0 I076 38 142 11 | 101,00 | 161 2 G091 10 022 11 | 23,00 | 161 3 M608 25 800 31 | |
| 76.1 | 264,00 | 161 0 I076 51 142 11 | 101,00 | 161 2 G091 10 022 11 | 23,00 | 161 3 M608 25 800 31 | |
| 88.9 | 289,00 | 161 0 I088 15 142 11 | 120,00 | 161 2 G106 12 022 11 | 23,00 | 161 3 M608 25 800 31 | |
| 88.9 | 315,00 | 161 0 I088 25 142 11 | 120,00 | 161 2 G106 12 022 11 | 23,00 | 161 3 M608 25 800 31 | |
| 88.9 | 362,00 | 161 0 I088 38 142 11 | 120,00 | 161 2 G106 12 022 11 | 23,00 | 161 3 M608 25 800 31 | |
| 88.9 | 405,00 | 161 0 I088 51 142 11 | 120,00 | 161 2 G106 12 022 11 | 23,00 | 161 3 M608 25 800 31 | |
| 114.3 | 401,00 | 161 0 I114 15 142 11 | 182,00 | 161 2 G130 12 022 11 | 33,00 | 161 3 M808 30 800 31 | |
| 114.3 | 444,00 | 161 0 I114 25 142 11 | 182,00 | 161 2 G130 12 022 11 | 33,00 | 161 3 M808 30 800 31 | |
| 114.3 | 500,00 | 161 0 I114 38 142 11 | 182,00 | 161 2 G130 12 022 11 | 33,00 | 161 3 M808 30 800 31 | |
| 114.3 | 556,00 | 161 0 I114 51 142 11 | 182,00 | 161 2 G130 12 022 11 | 33,00 | 161 3 M808 30 800 31 | |

AWH-Connect and Accessories



AWH-Connect AD2000 Data Sheet (PED 2014/68/EU) Inch (Tube OD)

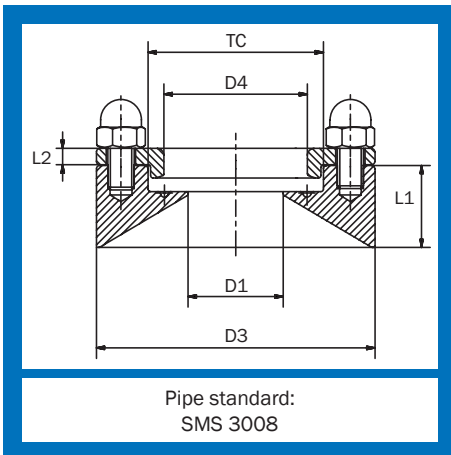
| DN Inch | D1 | D3 | D4 | L1 | L2 | Pipe-Ø | Thread bolts | TC | Weight [kg] |
|---------|------|-----|------|----|-----|--------------|--------------|------|-------------|
| 1/2" | 9.4 | 55 | 20 | 12 | 5 | 12.7 x 1.65 | 4/M6 x 16 | 25 | 0.3 |
| 1/2" | 9.4 | 55 | 20 | 25 | 5 | 12.7 x 1.65 | 4/M6 x 16 | 25 | 0.4 |
| 1/2" | 9.4 | 55 | 20 | 38 | 5 | 12.7 x 1.65 | 4/M6 x 16 | 25 | 0.6 |
| 1/2" | 9.4 | 55 | 20 | 51 | 5 | 12.7 x 1.65 | 4/M6 x 16 | 25 | 0.7 |
| 3/4" | 15.8 | 55 | 20 | 12 | 5 | 19.05 x 1.65 | 4/M6 x 16 | 25 | 0.2 |
| 3/4" | 15.8 | 55 | 20 | 25 | 5 | 19.05 x 1.65 | 4/M6 x 16 | 25 | 0.4 |
| 3/4" | 15.8 | 55 | 20 | 38 | 5 | 19.05 x 1.65 | 4/M6 x 16 | 25 | 0.5 |
| 3/4" | 15.8 | 55 | 20 | 51 | 5 | 19.05 x 1.65 | 4/M6 x 16 | 25 | 0.6 |
| 1" | 22.1 | 85 | 43.8 | 12 | 5 | 25.4 x 1.65 | 4/M8 x 20 | 50.5 | 0.6 |
| 1" | 22.1 | 85 | 43.8 | 25 | 5 | 25.4 x 1.65 | 4/M8 x 20 | 50.5 | 0.9 |
| 1" | 22.1 | 85 | 43.8 | 38 | 5 | 25.4 x 1.65 | 4/M8 x 20 | 50.5 | 1.2 |
| 1" | 22.1 | 85 | 43.8 | 51 | 5 | 25.4 x 1.65 | 4/M8 x 20 | 50.5 | 1.5 |
| 1 1/2" | 34.8 | 85 | 43.8 | 12 | 5 | 38.1 x 1.65 | 4/M8 x 20 | 50.5 | 0.6 |
| 1 1/2" | 34.8 | 85 | 43.8 | 25 | 5 | 38.1 x 1.65 | 4/M8 x 20 | 50.5 | 0.8 |
| 1 1/2" | 34.8 | 85 | 43.8 | 38 | 5 | 38.1 x 1.65 | 4/M8 x 20 | 50.5 | 1.1 |
| 1 1/2" | 34.8 | 85 | 43.8 | 51 | 5 | 38.1 x 1.65 | 4/M8 x 20 | 50.5 | 1.4 |
| 2" | 47.5 | 100 | 55 | 15 | 6 | 50.8 x 1.65 | 4/M8 x 20 | 64 | 0.8 |
| 2" | 47.5 | 100 | 55 | 25 | 6 | 50.8 x 1.65 | 4/M8 x 20 | 64 | 1.1 |
| 2" | 47.5 | 100 | 55 | 38 | 6 | 50.8 x 1.65 | 4/M8 x 20 | 64 | 1.4 |
| 2" | 47.5 | 100 | 55 | 51 | 6 | 50.8 x 1.65 | 4/M8 x 20 | 64 | 1.8 |
| 2 1/2" | 60.2 | 112 | 65.5 | 15 | 9.5 | 63.5 x 1.65 | 4/M8 x 25 | 77.5 | 1.1 |
| 2 1/2" | 60.2 | 112 | 65.5 | 25 | 9.5 | 63.5 x 1.65 | 4/M8 x 25 | 77.5 | 1.4 |
| 2 1/2" | 60.2 | 112 | 65.5 | 38 | 9.5 | 63.5 x 1.65 | 4/M8 x 25 | 77.5 | 1.8 |
| 2 1/2" | 60.2 | 112 | 65.5 | 51 | 9.5 | 63.5 x 1.65 | 4/M8 x 25 | 77.5 | 2.2 |
| 3" | 72.9 | 131 | 77 | 15 | 10 | 76.2 x 1.65 | 6/M8 x 25 | 91 | 1.5 |
| 3" | 72.9 | 131 | 77 | 25 | 10 | 76.2 x 1.65 | 6/M8 x 25 | 91 | 1.8 |
| 3" | 72.9 | 131 | 77 | 38 | 10 | 76.2 x 1.65 | 6/M8 x 25 | 91 | 2.3 |
| 3" | 72.9 | 131 | 77 | 51 | 10 | 76.2 x 1.65 | 6/M8 x 25 | 91 | 2.9 |
| 4" | 97.4 | 170 | 105 | 15 | 12 | 101.6 x 2.11 | 8/M8 x 30 | 119 | 2.5 |
| 4" | 97.4 | 170 | 105 | 25 | 12 | 101.6 x 2.11 | 8/M8 x 30 | 119 | 3.1 |
| 4" | 97.4 | 170 | 105 | 38 | 12 | 101.6 x 2.11 | 8/M8 x 30 | 119 | 3.9 |
| 4" | 97.4 | 170 | 105 | 51 | 12 | 101.6 x 2.11 | 8/M8 x 30 | 119 | 4.8 |

AWH-Connect and Accessories

AWH-Connect AD2000 Data Sheet (PED 2014/68/EU) Inch (Tube OD)

| Complete 1.4435/1.4404 (316L) | | | Split ring 1.4404 (316L) | | Fastening kit | | |
|-------------------------------|-----------|----------------------|--------------------------|----------------------|---------------|----------------------|--|
| DN Inch | Price/EUR | Article No. | Price/EUR | Article No. | Price/EUR | Article No. | |
| 1/2" | 96,00 | 161 0 A050 12 142 11 | 33,00 | 161 2 G025 05 022 11 | 16,00 | 161 3 M406 16 800 31 | |
| 1/2" | 99,00 | 161 0 A050 25 142 11 | 33,00 | 161 2 G025 05 022 11 | 16,00 | 161 3 M406 16 800 31 | |
| 1/2" | 106,00 | 161 0 A050 38 142 11 | 33,00 | 161 2 G025 05 022 11 | 16,00 | 161 3 M406 16 800 31 | |
| 1/2" | 111,00 | 161 0 A050 51 142 11 | 33,00 | 161 2 G025 05 022 11 | 16,00 | 161 3 M406 16 800 31 | |
| 3/4" | 96,00 | 161 0 A075 12 142 11 | 33,00 | 161 2 G025 05 022 11 | 16,00 | 161 3 M406 16 800 31 | |
| 3/4" | 99,00 | 161 0 A075 25 142 11 | 33,00 | 161 2 G025 05 022 11 | 16,00 | 161 3 M406 16 800 31 | |
| 3/4" | 106,00 | 161 0 A075 38 142 11 | 33,00 | 161 2 G025 05 022 11 | 16,00 | 161 3 M406 16 800 31 | |
| 3/4" | 111,00 | 161 0 A075 51 142 11 | 33,00 | 161 2 G025 05 022 11 | 16,00 | 161 3 M406 16 800 31 | |
| 1" | 119,00 | 161 0 A100 12 142 11 | 35,00 | 161 2 G050 05 022 11 | 14,00 | 161 3 M408 20 800 31 | |
| 1" | 127,00 | 161 0 A100 25 142 11 | 35,00 | 161 2 G050 05 022 11 | 14,00 | 161 3 M408 20 800 31 | |
| 1" | 143,00 | 161 0 A100 38 142 11 | 35,00 | 161 2 G050 05 022 11 | 14,00 | 161 3 M408 20 800 31 | |
| 1" | 162,00 | 161 0 A100 51 142 11 | 35,00 | 161 2 G050 05 022 11 | 14,00 | 161 3 M408 20 800 31 | |
| 1 1/2" | 119,00 | 161 0 A150 12 142 11 | 35,00 | 161 2 G050 05 022 11 | 14,00 | 161 3 M408 20 800 31 | |
| 1 1/2" | 127,00 | 161 0 A150 25 142 11 | 35,00 | 161 2 G050 05 022 11 | 14,00 | 161 3 M408 20 800 31 | |
| 1 1/2" | 143,00 | 161 0 A150 38 142 11 | 35,00 | 161 2 G050 05 022 11 | 14,00 | 161 3 M408 20 800 31 | |
| 1 1/2" | 162,00 | 161 0 A150 51 142 11 | 35,00 | 161 2 G050 05 022 11 | 14,00 | 161 3 M408 20 800 31 | |
| 2" | 145,00 | 161 0 A200 15 142 11 | 44,00 | 161 2 G064 06 022 11 | 14,00 | 161 3 M408 20 800 31 | |
| 2" | 151,00 | 161 0 A200 25 142 11 | 44,00 | 161 2 G064 06 022 11 | 14,00 | 161 3 M408 20 800 31 | |
| 2" | 171,00 | 161 0 A200 38 142 11 | 44,00 | 161 2 G064 06 022 11 | 14,00 | 161 3 M408 20 800 31 | |
| 2" | 188,00 | 161 0 A200 51 142 11 | 44,00 | 161 2 G064 06 022 11 | 14,00 | 161 3 M408 20 800 31 | |
| 2 1/2" | 159,00 | 161 0 A250 15 142 11 | 57,00 | 161 2 G077 09 022 11 | 15,00 | 161 3 M408 25 800 31 | |
| 2 1/2" | 172,00 | 161 0 A250 25 142 11 | 57,00 | 161 2 G077 09 022 11 | 15,00 | 161 3 M408 25 800 31 | |
| 2 1/2" | 190,00 | 161 0 A250 38 142 11 | 57,00 | 161 2 G077 09 022 11 | 15,00 | 161 3 M408 25 800 31 | |
| 2 1/2" | 208,00 | 161 0 A250 51 142 11 | 57,00 | 161 2 G077 09 022 11 | 15,00 | 161 3 M408 25 800 31 | |
| 3" | 220,00 | 161 0 A300 15 142 11 | 101,00 | 161 2 G091 10 022 11 | 23,00 | 161 3 M608 25 800 31 | |
| 3" | 224,00 | 161 0 A300 25 142 11 | 101,00 | 161 2 G091 10 022 11 | 23,00 | 161 3 M608 25 800 31 | |
| 3" | 247,00 | 161 0 A300 38 142 11 | 101,00 | 161 2 G091 10 022 11 | 23,00 | 161 3 M608 25 800 31 | |
| 3" | 264,00 | 161 0 A300 51 142 11 | 101,00 | 161 2 G091 10 022 11 | 23,00 | 161 3 M608 25 800 31 | |
| 4" | 398,00 | 161 0 A400 15 142 11 | 181,00 | 161 2 G119 12 022 11 | 33,00 | 161 3 M808 30 800 31 | |
| 4" | 459,00 | 161 0 A400 25 142 11 | 181,00 | 161 2 G119 12 022 11 | 33,00 | 161 3 M808 30 800 31 | |
| 4" | 499,00 | 161 0 A400 38 142 11 | 181,00 | 161 2 G119 12 022 11 | 33,00 | 161 3 M808 30 800 31 | |
| 4" | 515,00 | 161 0 A400 51 142 11 | 181,00 | 161 2 G119 12 022 11 | 33,00 | 161 3 M808 30 800 31 | |

AWH-Connect and Accessories



AWH-Connect AD2000 Data Sheet (PED 2014/68/EU) SMS

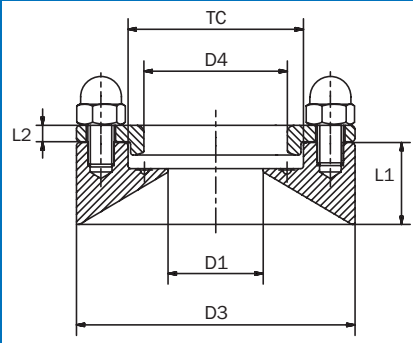
| DN SMS | D1 | D3 | D4 | L1 | L2 | Pipe-Ø | Thread bolts | TC | Weight [kg] |
|--------|------|-----|------|----|-----|------------|--------------|------|-------------|
| 12 | 10 | 55 | 20 | 12 | 5 | 12 x 1 | 4/M6 x 16 | 25 | 0.3 |
| 12 | 10 | 55 | 20 | 25 | 5 | 12 x 1 | 4/M6 x 16 | 25 | 0.4 |
| 12 | 10 | 55 | 20 | 38 | 5 | 12 x 1 | 4/M6 x 16 | 25 | 0.5 |
| 12 | 10 | 55 | 20 | 51 | 5 | 12 x 1 | 4/M6 x 16 | 25 | 0.7 |
| 18 | 15 | 55 | 20 | 12 | 5 | 18 X 1 | 4/M6 x 16 | 25 | 0.3 |
| 18 | 15 | 55 | 20 | 25 | 5 | 18 X 1 | 4/M6 x 16 | 25 | 0.4 |
| 18 | 15 | 55 | 20 | 38 | 5 | 18 X 1 | 4/M6 x 16 | 25 | 0.5 |
| 18 | 15 | 55 | 20 | 51 | 5 | 18 X 1 | 4/M6 x 16 | 25 | 0.7 |
| 25 | 22.6 | 85 | 43.8 | 12 | 5 | 25 x 1.2 | 4/M8 x 20 | 50.5 | 0.6 |
| 25 | 22.6 | 85 | 43.8 | 25 | 5 | 25 x 1.2 | 4/M8 x 20 | 50.5 | 0.9 |
| 25 | 22.6 | 85 | 43.8 | 38 | 5 | 25 x 1.2 | 4/M8 x 20 | 50.5 | 1.2 |
| 25 | 22.6 | 85 | 43.8 | 51 | 5 | 25 x 1.2 | 4/M8 x 20 | 50.5 | 1.5 |
| 38 | 35.6 | 85 | 43.8 | 12 | 5 | 38 x 1.2 | 4/M8 x 20 | 50.5 | 0.6 |
| 38 | 35.6 | 85 | 43.8 | 25 | 5 | 38 x 1.2 | 4/M8 x 20 | 50.5 | 0.8 |
| 38 | 35.6 | 85 | 43.8 | 38 | 5 | 38 x 1.2 | 4/M8 x 20 | 50.5 | 1.1 |
| 38 | 35.6 | 85 | 43.8 | 51 | 5 | 38 x 1.2 | 4/M8 x 20 | 50.5 | 1.4 |
| 51 | 48.6 | 100 | 55 | 15 | 6 | 51 x 1.2 | 4/M8 x 20 | 64 | 0.8 |
| 51 | 48.6 | 100 | 55 | 25 | 6 | 51 x 1.2 | 4/M8 x 20 | 64 | 1.1 |
| 51 | 48.6 | 100 | 55 | 38 | 6 | 51 x 1.2 | 4/M8 x 20 | 64 | 1.4 |
| 51 | 48.6 | 100 | 55 | 51 | 6 | 51 x 1.2 | 4/M8 x 20 | 64 | 1.8 |
| 63 | 60.3 | 112 | 65.5 | 15 | 9.5 | 63.5 x 1.6 | 4/M8 x 25 | 77.5 | 1.1 |
| 63 | 60.3 | 112 | 65.5 | 25 | 9.5 | 63.5 x 1.6 | 4/M8 x 25 | 77.5 | 1.4 |
| 63 | 60.3 | 112 | 65.5 | 38 | 9.5 | 63.5 x 1.6 | 4/M8 x 25 | 77.5 | 1.8 |
| 63 | 60.3 | 112 | 65.5 | 51 | 9.5 | 63.5 x 1.6 | 4/M8 x 25 | 77.5 | 2.2 |
| 76 | 72.9 | 131 | 77 | 15 | 10 | 76.1 x 1.6 | 6/M8 x 25 | 91 | 1.4 |
| 76 | 72.9 | 131 | 77 | 25 | 10 | 76.1 x 1.6 | 6/M8 x 25 | 91 | 1.8 |
| 76 | 72.9 | 131 | 77 | 38 | 10 | 76.1 x 1.6 | 6/M8 x 25 | 91 | 2.3 |
| 76 | 72.9 | 131 | 77 | 51 | 10 | 76.1 x 1.6 | 6/M8 x 25 | 91 | 2.8 |
| 102 | 97.6 | 170 | 105 | 15 | 12 | 101.6 x 2 | 8/M8 x 30 | 119 | 2.5 |
| 102 | 97.6 | 170 | 105 | 25 | 12 | 101.6 x 2 | 8/M8 x 30 | 119 | 3.2 |
| 102 | 97.6 | 170 | 105 | 38 | 12 | 101.6 x 2 | 8/M8 x 30 | 119 | 3.9 |
| 102 | 97.6 | 170 | 105 | 51 | 12 | 101.6 x 2 | 8/M8 x 30 | 119 | 4.8 |

AWH-Connect and Accessories

AWH-Connect AD2000 Data Sheet (PED 2014/68/EU) SMS

| Complete 1.4435/1.4404 (316L) | | | Split ring 1.4404 (316L) | | Fastening kit | | |
|-------------------------------|-----------|----------------------|--------------------------|----------------------|---------------|----------------------|--|
| DN SMS | Price/EUR | Article No. | Price/EUR | Article No. | Price/EUR | Article No. | |
| 12 | 96,00 | 161 0 S012 12 142 11 | 33,00 | 161 2 G025 05 022 11 | 16,00 | 161 3 M406 16 800 31 | |
| 12 | 99,00 | 161 0 S012 25 142 11 | 33,00 | 161 2 G025 05 022 11 | 16,00 | 161 3 M406 16 800 31 | |
| 12 | 106,00 | 161 0 S012 38 142 11 | 33,00 | 161 2 G025 05 022 11 | 16,00 | 161 3 M406 16 800 31 | |
| 12 | 111,00 | 161 0 S012 51 142 11 | 33,00 | 161 2 G025 05 022 11 | 16,00 | 161 3 M406 16 800 31 | |
| 18 | 96,00 | 161 0 S018 12 142 11 | 33,00 | 161 2 G025 05 022 11 | 16,00 | 161 3 M406 16 800 31 | |
| 18 | 99,00 | 161 0 S018 25 142 11 | 33,00 | 161 2 G025 05 022 11 | 16,00 | 161 3 M406 16 800 31 | |
| 18 | 106,00 | 161 0 S018 38 142 11 | 33,00 | 161 2 G025 05 022 11 | 16,00 | 161 3 M406 16 800 31 | |
| 18 | 111,00 | 161 0 S018 51 142 11 | 33,00 | 161 2 G025 05 022 11 | 16,00 | 161 3 M406 16 800 31 | |
| 25 | 119,00 | 161 0 S025 12 142 11 | 35,00 | 161 2 G050 05 022 11 | 14,00 | 161 3 M408 20 800 31 | |
| 25 | 127,00 | 161 0 S025 25 142 11 | 35,00 | 161 2 G050 05 022 11 | 14,00 | 161 3 M408 20 800 31 | |
| 25 | 143,00 | 161 0 S025 38 142 11 | 35,00 | 161 2 G050 05 022 11 | 14,00 | 161 3 M408 20 800 31 | |
| 25 | 162,00 | 161 0 S025 51 142 11 | 35,00 | 161 2 G050 05 022 11 | 14,00 | 161 3 M408 20 800 31 | |
| 38 | 119,00 | 161 0 S038 12 142 11 | 35,00 | 161 2 G050 05 022 11 | 14,00 | 161 3 M408 20 800 31 | |
| 38 | 127,00 | 161 0 S038 25 142 11 | 35,00 | 161 2 G050 05 022 11 | 14,00 | 161 3 M408 20 800 31 | |
| 38 | 143,00 | 161 0 S038 38 142 11 | 35,00 | 161 2 G050 05 022 11 | 14,00 | 161 3 M408 20 800 31 | |
| 38 | 162,00 | 161 0 S038 51 142 11 | 35,00 | 161 2 G050 05 022 11 | 14,00 | 161 3 M408 20 800 31 | |
| 51 | 145,00 | 161 0 S051 15 142 11 | 44,00 | 161 2 G064 06 022 11 | 14,00 | 161 3 M408 20 800 31 | |
| 51 | 151,00 | 161 0 S051 25 142 11 | 44,00 | 161 2 G064 06 022 11 | 14,00 | 161 3 M408 20 800 31 | |
| 51 | 171,00 | 161 0 S051 38 142 11 | 44,00 | 161 2 G064 06 022 11 | 14,00 | 161 3 M408 20 800 31 | |
| 51 | 188,00 | 161 0 S051 51 142 11 | 44,00 | 161 2 G064 06 022 11 | 14,00 | 161 3 M408 20 800 31 | |
| 63 | 159,00 | 161 0 S063 15 142 11 | 57,00 | 161 2 G077 09 022 11 | 15,00 | 161 3 M408 25 800 31 | |
| 63 | 172,00 | 161 0 S063 25 142 11 | 57,00 | 161 2 G077 09 022 11 | 15,00 | 161 3 M408 25 800 31 | |
| 63 | 190,00 | 161 0 S063 38 142 11 | 57,00 | 161 2 G077 09 022 11 | 15,00 | 161 3 M408 25 800 31 | |
| 63 | 208,00 | 161 0 S063 51 142 11 | 57,00 | 161 2 G077 09 022 11 | 15,00 | 161 3 M408 25 800 31 | |
| 76 | 220,00 | 161 0 S076 15 142 11 | 101,00 | 161 2 G091 10 022 11 | 23,00 | 161 3 M608 25 800 31 | |
| 76 | 224,00 | 161 0 S076 25 142 11 | 101,00 | 161 2 G091 10 022 11 | 23,00 | 161 3 M608 25 800 31 | |
| 76 | 247,00 | 161 0 S076 38 142 11 | 101,00 | 161 2 G091 10 022 11 | 23,00 | 161 3 M608 25 800 31 | |
| 76 | 264,00 | 161 0 S076 51 142 11 | 101,00 | 161 2 G091 10 022 11 | 23,00 | 161 3 M608 25 800 31 | |
| 102 | 398,00 | 161 0 S102 15 142 11 | 181,00 | 161 2 G119 12 022 11 | 33,00 | 161 3 M808 30 800 31 | |
| 102 | 459,00 | 161 0 S102 25 142 11 | 181,00 | 161 2 G119 12 022 11 | 33,00 | 161 3 M808 30 800 31 | |
| 102 | 499,00 | 161 0 S102 38 142 11 | 181,00 | 161 2 G119 12 022 11 | 33,00 | 161 3 M808 30 800 31 | |
| 102 | 515,00 | 161 0 S102 51 142 11 | 181,00 | 161 2 G119 12 022 11 | 33,00 | 161 3 M808 30 800 31 | |

AWH-Connect and Accessories



Pipe standard:
DIN 11866 Series A (DIN EN 10357, Series A)

AWH-Connect with metric Thread Bolts EN 13445 (PED 2014/68/EU) DIN

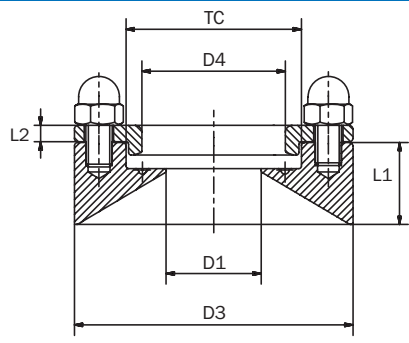
| DN DIN | D1 | D3 | D4 | L1 | L2 | Pipe-Ø | Thread bolts | TC | Weight [kg] |
|--------|-----|-----|------|----|------|-----------|--------------|------|-------------|
| 10 | 10 | 70 | 28.8 | 12 | 11 | 13 x 1.5 | 4/M8 x 25 | 34 | 0.6 |
| 10 | 10 | 70 | 28.8 | 25 | 11 | 13 x 1.5 | 4/M8 x 25 | 34 | 0.8 |
| 10 | 10 | 70 | 28.8 | 38 | 11 | 13 x 1.5 | 4/M8 x 25 | 34 | 1.0 |
| 10 | 10 | 70 | 28.8 | 51 | 11 | 13 x 1.5 | 4/M8 x 25 | 34 | 1.3 |
| 15 | 16 | 70 | 28.8 | 12 | 11 | 19 x 1.5 | 4/M8 x 25 | 34 | 0.6 |
| 15 | 16 | 70 | 28.8 | 25 | 11 | 19 x 1.5 | 4/M8 x 25 | 34 | 0.8 |
| 15 | 16 | 70 | 28.8 | 38 | 11 | 19 x 1.5 | 4/M8 x 25 | 34 | 1.0 |
| 15 | 16 | 70 | 28.8 | 51 | 11 | 19 x 1.5 | 4/M8 x 25 | 34 | 1.2 |
| 20 | 20 | 70 | 28.8 | 12 | 11 | 23 x 1.5 | 4/M8 x 25 | 34 | 0.5 |
| 20 | 20 | 70 | 28.8 | 25 | 11 | 23 x 1.5 | 4/M8 x 25 | 34 | 0.7 |
| 20 | 20 | 70 | 28.8 | 38 | 11 | 23 x 1.5 | 4/M8 x 25 | 34 | 1.0 |
| 20 | 20 | 70 | 28.8 | 51 | 11 | 23 x 1.5 | 4/M8 x 25 | 34 | 1.2 |
| 25 | 26 | 85 | 43.8 | 12 | 11 | 29 x 1.5 | 4/M8 x 25 | 50.5 | 0.8 |
| 25 | 26 | 85 | 43.8 | 25 | 11 | 29 x 1.5 | 4/M8 x 25 | 50.5 | 1.1 |
| 25 | 26 | 85 | 43.8 | 38 | 11 | 29 x 1.5 | 4/M8 x 25 | 50.5 | 1.4 |
| 25 | 26 | 85 | 43.8 | 51 | 11 | 29 x 1.5 | 4/M8 x 25 | 50.5 | 1.7 |
| 32 | 32 | 85 | 43.8 | 12 | 11 | 35 x 1.5 | 4/M8 x 25 | 50.5 | 0.8 |
| 32 | 32 | 85 | 43.8 | 25 | 11 | 35 x 1.5 | 4/M8 x 25 | 50.5 | 1.0 |
| 32 | 32 | 85 | 43.8 | 38 | 11 | 35 x 1.5 | 4/M8 x 25 | 50.5 | 1.2 |
| 32 | 32 | 85 | 43.8 | 51 | 11 | 35 x 1.5 | 4/M8 x 25 | 50.5 | 1.5 |
| 40 | 38 | 85 | 43.8 | 12 | 11 | 41 x 1.5 | 4/M8 x 25 | 50.5 | 0.7 |
| 40 | 38 | 85 | 43.8 | 25 | 11 | 41 x 1.5 | 4/M8 x 25 | 50.5 | 1.0 |
| 40 | 38 | 85 | 43.8 | 38 | 11 | 41 x 1.5 | 4/M8 x 25 | 50.5 | 1.2 |
| 40 | 38 | 85 | 43.8 | 51 | 11 | 41 x 1.5 | 4/M8 x 25 | 50.5 | 1.6 |
| 50 | 50 | 100 | 55 | 15 | 11 | 53 x 1.5 | 4/M8 x 25 | 64 | 1.0 |
| 50 | 50 | 100 | 55 | 25 | 11 | 53 x 1.5 | 4/M8 x 25 | 64 | 1.3 |
| 50 | 50 | 100 | 55 | 38 | 11 | 53 x 1.5 | 4/M8 x 25 | 64 | 1.6 |
| 50 | 50 | 100 | 55 | 51 | 11 | 53 x 1.5 | 4/M8 x 25 | 64 | 1.9 |
| 65 | 66 | 131 | 77 | 15 | 13.5 | 70 x 2.0 | 6/M8 x 30 | 91 | 1.7 |
| 65 | 66 | 131 | 77 | 25 | 13.5 | 70 x 2.0 | 6/M8 x 30 | 91 | 2.1 |
| 65 | 66 | 131 | 77 | 38 | 13.5 | 70 x 2.0 | 6/M8 x 30 | 91 | 2.6 |
| 65 | 66 | 131 | 77 | 51 | 13.5 | 70 x 2.0 | 6/M8 x 30 | 91 | 3.2 |
| 80 | 81 | 146 | 93.5 | 15 | 13.5 | 85 x 2.0 | 6/M8 x 30 | 106 | 1.9 |
| 80 | 81 | 146 | 93.5 | 25 | 13.5 | 85 x 2.0 | 6/M8 x 30 | 106 | 2.4 |
| 80 | 81 | 146 | 93.5 | 38 | 13.5 | 85 x 2.0 | 6/M8 x 30 | 106 | 3.0 |
| 80 | 81 | 146 | 93.5 | 51 | 13.5 | 85 x 2.0 | 6/M8 x 30 | 106 | 3.6 |
| 100 | 100 | 170 | 105 | 15 | 14 | 104 x 2.0 | 8/M8 x 30 | 119 | 2.7 |
| 100 | 100 | 170 | 105 | 25 | 14 | 104 x 2.0 | 8/M8 x 30 | 119 | 3.2 |
| 100 | 100 | 170 | 105 | 38 | 14 | 104 x 2.0 | 8/M8 x 30 | 119 | 4.0 |
| 100 | 100 | 170 | 105 | 51 | 14 | 104 x 2.0 | 8/M8 x 30 | 119 | 4.9 |

AWH-Connect and Accessories

AWH-Connect with metric Thread Bolts EN 13445 (PED 2014/68/EU) DIN

| Complete 1.4435/1.4404 (316L) | | | Split ring 1.4404 (316L) | | Fastening kit | | |
|-------------------------------|-----------|----------------------|--------------------------|----------------------|---------------|----------------------|--|
| DN DIN | Price/EUR | Article No. | Price/EUR | Article No. | Price/EUR | Article No. | |
| 10 | 111,00 | 161 0 D010 12 142 21 | 43,00 | 161 2 G034 11 022 21 | 15,00 | 161 3 M408 25 800 31 | |
| 10 | 120,00 | 161 0 D010 25 142 21 | 43,00 | 161 2 G034 11 022 21 | 15,00 | 161 3 M408 25 800 31 | |
| 10 | 125,00 | 161 0 D010 38 142 21 | 43,00 | 161 2 G034 11 022 21 | 15,00 | 161 3 M408 25 800 31 | |
| 10 | 133,00 | 161 0 D010 51 142 21 | 43,00 | 161 2 G034 11 022 21 | 15,00 | 161 3 M408 25 800 31 | |
| 15 | 111,00 | 161 0 D015 12 142 21 | 42,00 | 161 2 G034 11 022 21 | 15,00 | 161 3 M408 25 800 31 | |
| 15 | 120,00 | 161 0 D015 25 142 21 | 42,00 | 161 2 G034 11 022 21 | 15,00 | 161 3 M408 25 800 31 | |
| 15 | 125,00 | 161 0 D015 38 142 21 | 42,00 | 161 2 G034 11 022 21 | 15,00 | 161 3 M408 25 800 31 | |
| 15 | 133,00 | 161 0 D015 51 142 21 | 42,00 | 161 2 G034 11 022 21 | 15,00 | 161 3 M408 25 800 31 | |
| 20 | 111,00 | 161 0 D020 12 142 21 | 42,00 | 161 2 G034 11 022 21 | 15,00 | 161 3 M408 25 800 31 | |
| 20 | 120,00 | 161 0 D020 25 142 21 | 42,00 | 161 2 G034 11 022 21 | 15,00 | 161 3 M408 25 800 31 | |
| 20 | 125,00 | 161 0 D020 38 142 21 | 42,00 | 161 2 G034 11 022 21 | 15,00 | 161 3 M408 25 800 31 | |
| 20 | 133,00 | 161 0 D020 51 142 21 | 42,00 | 161 2 G034 11 022 21 | 15,00 | 161 3 M408 25 800 31 | |
| 25 | 134,00 | 161 0 D025 12 142 21 | 52,00 | 161 2 G050 11 022 21 | 15,00 | 161 3 M408 25 800 31 | |
| 25 | 143,00 | 161 0 D025 25 142 21 | 52,00 | 161 2 G050 11 022 21 | 15,00 | 161 3 M408 25 800 31 | |
| 25 | 159,00 | 161 0 D025 38 142 21 | 52,00 | 161 2 G050 11 022 21 | 15,00 | 161 3 M408 25 800 31 | |
| 25 | 178,00 | 161 0 D025 51 142 21 | 52,00 | 161 2 G050 11 022 21 | 15,00 | 161 3 M408 25 800 31 | |
| 32 | 134,00 | 161 0 D032 12 142 21 | 52,00 | 161 2 G050 11 022 21 | 15,00 | 161 3 M408 25 800 31 | |
| 32 | 143,00 | 161 0 D032 25 142 21 | 52,00 | 161 2 G050 11 022 21 | 15,00 | 161 3 M408 25 800 31 | |
| 32 | 159,00 | 161 0 D032 38 142 21 | 52,00 | 161 2 G050 11 022 21 | 15,00 | 161 3 M408 25 800 31 | |
| 32 | 178,00 | 161 0 D032 51 142 21 | 52,00 | 161 2 G050 11 022 21 | 15,00 | 161 3 M408 25 800 31 | |
| 40 | 134,00 | 161 0 D040 12 142 21 | 52,00 | 161 2 G050 11 022 21 | 15,00 | 161 3 M408 25 800 31 | |
| 40 | 143,00 | 161 0 D040 25 142 21 | 52,00 | 161 2 G050 11 022 21 | 15,00 | 161 3 M408 25 800 31 | |
| 40 | 159,00 | 161 0 D040 38 142 21 | 52,00 | 161 2 G050 11 022 21 | 15,00 | 161 3 M408 25 800 31 | |
| 40 | 178,00 | 161 0 D040 51 142 21 | 52,00 | 161 2 G050 11 022 21 | 15,00 | 161 3 M408 25 800 31 | |
| 50 | 159,00 | 161 0 D050 15 142 21 | 60,00 | 161 2 G064 11 022 21 | 15,00 | 161 3 M408 25 800 31 | |
| 50 | 165,00 | 161 0 D050 25 142 21 | 60,00 | 161 2 G064 11 022 21 | 15,00 | 161 3 M408 25 800 31 | |
| 50 | 185,00 | 161 0 D050 38 142 21 | 60,00 | 161 2 G064 11 022 21 | 15,00 | 161 3 M408 25 800 31 | |
| 50 | 202,00 | 161 0 D050 51 142 21 | 60,00 | 161 2 G064 11 022 21 | 15,00 | 161 3 M408 25 800 31 | |
| 65 | 219,00 | 161 0 D065 15 142 21 | 107,00 | 161 2 G091 13 022 21 | 25,00 | 161 3 M608 30 800 31 | |
| 65 | 223,00 | 161 0 D065 25 142 21 | 107,00 | 161 2 G091 13 022 21 | 25,00 | 161 3 M608 30 800 31 | |
| 65 | 244,00 | 161 0 D065 38 142 21 | 107,00 | 161 2 G091 13 022 21 | 25,00 | 161 3 M608 30 800 31 | |
| 65 | 260,00 | 161 0 D065 51 142 21 | 107,00 | 161 2 G091 13 022 21 | 25,00 | 161 3 M608 30 800 31 | |
| 80 | 282,00 | 161 0 D080 15 142 21 | 121,00 | 161 2 G106 13 022 21 | 25,00 | 161 3 M608 30 800 31 | |
| 80 | 305,00 | 161 0 D080 25 142 21 | 121,00 | 161 2 G106 13 022 21 | 25,00 | 161 3 M608 30 800 31 | |
| 80 | 350,00 | 161 0 D080 38 142 21 | 121,00 | 161 2 G106 13 022 21 | 25,00 | 161 3 M608 30 800 31 | |
| 80 | 389,00 | 161 0 D080 51 142 21 | 121,00 | 161 2 G106 13 022 21 | 25,00 | 161 3 M608 30 800 31 | |
| 100 | 389,00 | 161 0 D100 15 142 21 | 189,00 | 161 2 G119 14 022 21 | 33,00 | 161 3 M808 30 800 31 | |
| 100 | 444,00 | 161 0 D100 25 142 21 | 189,00 | 161 2 G119 14 022 21 | 33,00 | 161 3 M808 30 800 31 | |
| 100 | 482,00 | 161 0 D100 38 142 21 | 189,00 | 161 2 G119 14 022 21 | 33,00 | 161 3 M808 30 800 31 | |
| 100 | 496,00 | 161 0 D100 51 142 21 | 189,00 | 161 2 G119 14 022 21 | 33,00 | 161 3 M808 30 800 31 | |

AWH-Connect and Accessories



Pipe standard:
DIN 11866 Series B (DIN EN ISO 1127)

AWH-Connect with metric Thread Bolts EN 13445 (PED 2014/68/EU) ISO

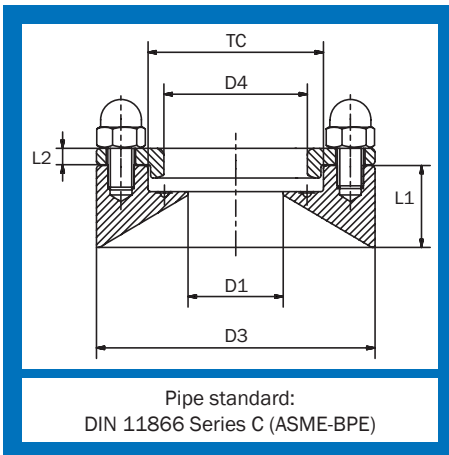
| DN ISO | D1 | D3 | D4 | L1 | L2 | Pipe-Ø | Thread bolts | TC | Weight [kg] |
|--------|-------|-----|------|----|------|-------------|--------------|------|-------------|
| 13.5 | 10.3 | 55 | 20 | 12 | 10 | 13.5 x 1.6 | 4/M6 x 25 | 25 | 0.4 |
| 13.5 | 10.3 | 55 | 20 | 25 | 10 | 13.5 x 1.6 | 4/M6 x 25 | 25 | 0.5 |
| 13.5 | 10.3 | 55 | 20 | 38 | 10 | 13.5 x 1.6 | 4/M6 x 25 | 25 | 0.6 |
| 13.5 | 10.3 | 55 | 20 | 51 | 10 | 13.5 x 1.6 | 4/M6 x 25 | 25 | 0.8 |
| 17.2 | 14 | 70 | 28.8 | 12 | 11 | 17.2 x 1.6 | 4/M8 x 25 | 34 | 0.6 |
| 17.2 | 14 | 70 | 28.8 | 25 | 11 | 17.2 x 1.6 | 4/M8 x 25 | 34 | 0.8 |
| 17.2 | 14 | 70 | 28.8 | 38 | 11 | 17.2 x 1.6 | 4/M8 x 25 | 34 | 1.0 |
| 17.2 | 14 | 70 | 28.8 | 51 | 11 | 17.2 x 1.6 | 4/M8 x 25 | 34 | 1.2 |
| 21.3 | 18.1 | 70 | 28.8 | 12 | 11 | 21.3 x 1.6 | 4/M8 x 25 | 34 | 0.6 |
| 21.3 | 18.1 | 70 | 28.8 | 25 | 11 | 21.3 x 1.6 | 4/M8 x 25 | 34 | 0.8 |
| 21.3 | 18.1 | 70 | 28.8 | 38 | 11 | 21.3 x 1.6 | 4/M8 x 25 | 34 | 1.0 |
| 21.3 | 18.1 | 70 | 28.8 | 51 | 11 | 21.3 x 1.6 | 4/M8 x 25 | 34 | 1.2 |
| 26.9 | 23.7 | 85 | 43.8 | 12 | 11 | 26.9 x 1.6 | 4/M8 x 25 | 50.5 | 0.8 |
| 26.9 | 23.7 | 85 | 43.8 | 25 | 11 | 26.9 x 1.6 | 4/M8 x 25 | 50.5 | 1.1 |
| 26.9 | 23.7 | 85 | 43.8 | 38 | 11 | 26.9 x 1.6 | 4/M8 x 25 | 50.5 | 1.4 |
| 26.9 | 23.7 | 85 | 43.8 | 51 | 11 | 26.9 x 1.6 | 4/M8 x 25 | 50.5 | 1.7 |
| 33.7 | 29.7 | 85 | 43.8 | 12 | 11 | 33.7x2.0 | 4/M8 x 25 | 50.5 | 0.8 |
| 33.7 | 29.7 | 85 | 43.8 | 25 | 11 | 33.7x2.0 | 4/M8 x 25 | 50.5 | 1.0 |
| 33.7 | 29.7 | 85 | 43.8 | 38 | 11 | 33.7x2.0 | 4/M8 x 25 | 50.5 | 1.3 |
| 33.7 | 29.7 | 85 | 43.8 | 51 | 11 | 33.7x2.0 | 4/M8 x 25 | 50.5 | 1.6 |
| 42.4 | 38.4 | 100 | 55 | 15 | 11 | 42.4 x 2.0 | 4/M8 x 25 | 64 | 1.1 |
| 42.4 | 38.4 | 100 | 55 | 25 | 11 | 42.4 x 2.0 | 4/M8 x 25 | 64 | 1.3 |
| 42.4 | 38.4 | 100 | 55 | 38 | 11 | 42.4 x 2.0 | 4/M8 x 25 | 64 | 1.7 |
| 42.4 | 38.4 | 100 | 55 | 51 | 11 | 42.4 x 2.0 | 4/M8 x 25 | 64 | 2.1 |
| 48.3 | 44.3 | 100 | 55 | 15 | 11 | 48.3 x 2.0 | 4/M8 x 25 | 64 | 1.0 |
| 48.3 | 44.3 | 100 | 55 | 25 | 11 | 48.3 x 2.0 | 4/M8 x 25 | 64 | 1.3 |
| 48.3 | 44.3 | 100 | 55 | 38 | 11 | 48.3 x 2.0 | 4/M8 x 25 | 64 | 1.6 |
| 48.3 | 44.3 | 100 | 55 | 51 | 11 | 48.3 x 2.0 | 4/M8 x 25 | 64 | 2.0 |
| 60.3 | 56.3 | 112 | 65.5 | 15 | 11.5 | 60.3 x 2.0 | 4/M8 x 25 | 77.5 | 1.2 |
| 60.3 | 56.3 | 112 | 65.5 | 25 | 11.5 | 60.3 x 2.0 | 4/M8 x 25 | 77.5 | 1.5 |
| 60.3 | 56.3 | 112 | 65.5 | 38 | 11.5 | 60.3 x 2.0 | 4/M8 x 25 | 77.5 | 1.9 |
| 60.3 | 56.3 | 112 | 65.5 | 51 | 11.5 | 60.3 x 2.0 | 4/M8 x 25 | 77.5 | 2.4 |
| 76.1 | 72.1 | 131 | 77 | 15 | 13.5 | 76.1 x 2.0 | 6/M8 x 30 | 91 | 1.7 |
| 76.1 | 72.1 | 131 | 77 | 25 | 13.5 | 76.1 x 2.0 | 6/M8 x 30 | 91 | 2.0 |
| 76.1 | 72.1 | 131 | 77 | 38 | 13.5 | 76.1 x 2.0 | 6/M8 x 30 | 91 | 2.5 |
| 76.1 | 72.1 | 131 | 77 | 51 | 13.5 | 76.1 x 2.0 | 6/M8 x 30 | 91 | 3.1 |
| 88.9 | 84.3 | 146 | 93.5 | 15 | 13.5 | 88.9 x 2.3 | 6/M8 x 30 | 106 | 1.9 |
| 88.9 | 84.3 | 146 | 93.5 | 25 | 13.5 | 88.9 x 2.3 | 6/M8 x 30 | 106 | 2.3 |
| 88.9 | 84.3 | 146 | 93.5 | 38 | 13.5 | 88.9 x 2.3 | 6/M8 x 30 | 106 | 2.9 |
| 88.9 | 84.3 | 146 | 93.5 | 51 | 13.5 | 88.9 x 2.3 | 6/M8 x 30 | 106 | 3.6 |
| 114.3 | 109.7 | 170 | 115 | 15 | 14 | 114.3 x 2.3 | 8/M8 x 30 | 130 | 2.3 |
| 114.3 | 109.7 | 170 | 115 | 25 | 14 | 114.3 x 2.3 | 8/M8 x 30 | 130 | 2.8 |
| 114.3 | 109.7 | 170 | 115 | 38 | 14 | 114.3 x 2.3 | 8/M8 x 30 | 130 | 3.4 |
| 114.3 | 109.7 | 170 | 115 | 51 | 14 | 114.3 x 2.3 | 8/M8 x 30 | 130 | 4.2 |

AWH-Connect and Accessories

AWH-Connect with metric Thread Bolts EN 13445 (PED 2014/68/EU) ISO

| Complete 1.4435/1.4404 (316L) | | | Split ring 1.4404 (316L) | | Fastening kit | | |
|-------------------------------|-----------|----------------------|--------------------------|----------------------|---------------|----------------------|--|
| DN ISO | Price/EUR | Article No. | Price/EUR | Article No. | Price/EUR | Article No. | |
| 13.5 | 105,00 | 161 0 I013 12 142 21 | 43,00 | 161 2 G025 10 022 21 | 16,00 | 161 3 M406 20 800 31 | |
| 13.5 | 109,00 | 161 0 I013 25 142 21 | 43,00 | 161 2 G025 10 022 21 | 16,00 | 161 3 M406 20 800 31 | |
| 13.5 | 116,00 | 161 0 I013 38 142 21 | 43,00 | 161 2 G025 10 022 21 | 16,00 | 161 3 M406 20 800 31 | |
| 13.5 | 121,00 | 161 0 I013 51 142 21 | 43,00 | 161 2 G025 10 022 21 | 16,00 | 161 3 M406 20 800 31 | |
| 17.2 | 111,00 | 161 0 I017 12 142 21 | 42,00 | 161 2 G034 11 022 21 | 15,00 | 161 3 M408 25 800 31 | |
| 17.2 | 120,00 | 161 0 I017 25 142 21 | 42,00 | 161 2 G034 11 022 21 | 15,00 | 161 3 M408 25 800 31 | |
| 17.2 | 125,00 | 161 0 I017 38 142 21 | 42,00 | 161 2 G034 11 022 21 | 15,00 | 161 3 M408 25 800 31 | |
| 17.2 | 133,00 | 161 0 I017 51 142 21 | 42,00 | 161 2 G034 11 022 21 | 15,00 | 161 3 M408 25 800 31 | |
| 21.3 | 111,00 | 161 0 I021 12 142 21 | 42,00 | 161 2 G034 11 022 21 | 15,00 | 161 3 M408 25 800 31 | |
| 21.3 | 120,00 | 161 0 I021 25 142 21 | 42,00 | 161 2 G034 11 022 21 | 15,00 | 161 3 M408 25 800 31 | |
| 21.3 | 125,00 | 161 0 I021 38 142 21 | 42,00 | 161 2 G034 11 022 21 | 15,00 | 161 3 M408 25 800 31 | |
| 21.3 | 133,00 | 161 0 I021 51 142 21 | 42,00 | 161 2 G034 11 022 21 | 15,00 | 161 3 M408 25 800 31 | |
| 26.9 | 134,00 | 161 0 I026 12 142 21 | 52,00 | 161 2 G050 11 022 21 | 15,00 | 161 3 M408 25 800 31 | |
| 26.9 | 143,00 | 161 0 I026 25 142 21 | 52,00 | 161 2 G050 11 022 21 | 15,00 | 161 3 M408 25 800 31 | |
| 26.9 | 159,00 | 161 0 I026 38 142 21 | 52,00 | 161 2 G050 11 022 21 | 15,00 | 161 3 M408 25 800 31 | |
| 26.9 | 178,00 | 161 0 I026 51 142 21 | 52,00 | 161 2 G050 11 022 21 | 15,00 | 161 3 M408 25 800 31 | |
| 33.7 | 134,00 | 161 0 I033 12 142 21 | 52,00 | 161 2 G050 11 022 21 | 15,00 | 161 3 M408 25 800 31 | |
| 33.7 | 143,00 | 161 0 I033 25 142 21 | 52,00 | 161 2 G050 11 022 21 | 15,00 | 161 3 M408 25 800 31 | |
| 33.7 | 159,00 | 161 0 I033 38 142 21 | 52,00 | 161 2 G050 11 022 21 | 15,00 | 161 3 M408 25 800 31 | |
| 33.7 | 178,00 | 161 0 I033 51 142 21 | 52,00 | 161 2 G050 11 022 21 | 15,00 | 161 3 M408 25 800 31 | |
| 42.4 | 159,00 | 161 0 I042 15 142 21 | 60,00 | 161 2 G064 11 022 21 | 15,00 | 161 3 M408 25 800 31 | |
| 42.4 | 165,00 | 161 0 I042 25 142 21 | 60,00 | 161 2 G064 11 022 21 | 15,00 | 161 3 M408 25 800 31 | |
| 42.4 | 185,00 | 161 0 I042 38 142 21 | 60,00 | 161 2 G064 11 022 21 | 15,00 | 161 3 M408 25 800 31 | |
| 42.4 | 202,00 | 161 0 I042 51 142 21 | 60,00 | 161 2 G064 11 022 21 | 15,00 | 161 3 M408 25 800 31 | |
| 48.3 | 159,00 | 161 0 I048 15 142 21 | 60,00 | 161 2 G064 11 022 21 | 15,00 | 161 3 M408 25 800 31 | |
| 48.3 | 165,00 | 161 0 I048 25 142 21 | 60,00 | 161 2 G064 11 022 21 | 15,00 | 161 3 M408 25 800 31 | |
| 48.3 | 185,00 | 161 0 I048 38 142 21 | 60,00 | 161 2 G064 11 022 21 | 15,00 | 161 3 M408 25 800 31 | |
| 48.3 | 202,00 | 161 0 I048 51 142 21 | 60,00 | 161 2 G064 11 022 21 | 15,00 | 161 3 M408 25 800 31 | |
| 60.3 | 168,00 | 161 0 I060 15 142 21 | 67,00 | 161 2 G077 11 022 21 | 15,00 | 161 3 M408 25 800 31 | |
| 60.3 | 181,00 | 161 0 I060 25 142 21 | 67,00 | 161 2 G077 11 022 21 | 15,00 | 161 3 M408 25 800 31 | |
| 60.3 | 199,00 | 161 0 I060 38 142 21 | 67,00 | 161 2 G077 11 022 21 | 15,00 | 161 3 M408 25 800 31 | |
| 60.3 | 217,00 | 161 0 I060 51 142 21 | 67,00 | 161 2 G077 11 022 21 | 15,00 | 161 3 M408 25 800 31 | |
| 76.1 | 219,00 | 161 0 I076 15 142 21 | 107,00 | 161 2 G091 13 022 21 | 25,00 | 161 3 M608 30 800 31 | |
| 76.1 | 223,00 | 161 0 I076 25 142 21 | 107,00 | 161 2 G091 13 022 21 | 25,00 | 161 3 M608 30 800 31 | |
| 76.1 | 244,00 | 161 0 I076 38 142 21 | 107,00 | 161 2 G091 13 022 21 | 25,00 | 161 3 M608 30 800 31 | |
| 76.1 | 260,00 | 161 0 I076 51 142 21 | 107,00 | 161 2 G091 13 022 21 | 25,00 | 161 3 M608 30 800 31 | |
| 88.9 | 282,00 | 161 0 I088 15 142 21 | 121,00 | 161 2 G106 13 022 21 | 25,00 | 161 3 M608 30 800 31 | |
| 88.9 | 305,00 | 161 0 I088 25 142 21 | 121,00 | 161 2 G106 13 022 21 | 25,00 | 161 3 M608 30 800 31 | |
| 88.9 | 350,00 | 161 0 I088 38 142 21 | 121,00 | 161 2 G106 13 022 21 | 25,00 | 161 3 M608 30 800 31 | |
| 88.9 | 389,00 | 161 0 I088 51 142 21 | 121,00 | 161 2 G106 13 022 21 | 25,00 | 161 3 M608 30 800 31 | |
| 114.3 | 463,00 | 161 0 I114 15 142 21 | 275,00 | 161 2 G130 14 022 21 | 33,00 | 161 3 M808 30 800 31 | |
| 114.3 | 503,00 | 161 0 I114 25 142 21 | 275,00 | 161 2 G130 14 022 21 | 33,00 | 161 3 M808 30 800 31 | |
| 114.3 | 554,00 | 161 0 I114 38 142 21 | 275,00 | 161 2 G130 14 022 21 | 33,00 | 161 3 M808 30 800 31 | |
| 114.3 | 606,00 | 161 0 I114 51 142 21 | 275,00 | 161 2 G130 14 022 21 | 33,00 | 161 3 M808 30 800 31 | |

AWH-Connect and Accessories



AWH-Connect with metric Thread Bolts EN 13445 (PED2014/68/EU) Inch

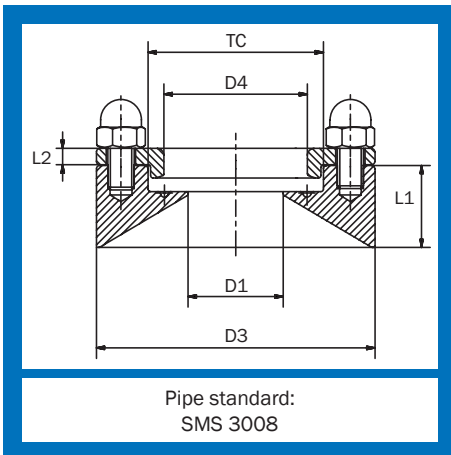
| DN Inch | D1 | D3 | D4 | L1 | L2 | Pipe-Ø | Thread bolts | TC | Weight [kg] |
|---------|------|-----|------|----|------|--------------|--------------|------|-------------|
| 1/2" | 9.4 | 55 | 20 | 12 | 10 | 12.7 x 1.65 | 4/M6 x 25 | 25 | 0.4 |
| 1/2" | 9.4 | 55 | 20 | 25 | 10 | 12.7 x 1.65 | 4/M6 x 25 | 25 | 0.5 |
| 1/2" | 9.4 | 55 | 20 | 38 | 10 | 12.7 x 1.65 | 4/M6 x 25 | 25 | 0.6 |
| 1/2" | 9.4 | 55 | 20 | 51 | 10 | 12.7 x 1.65 | 4/M6 x 25 | 25 | 0.8 |
| 3/4" | 15.8 | 55 | 20 | 12 | 10 | 19.05 x 1.65 | 4/M6 x 25 | 25 | 0.4 |
| 3/4" | 15.8 | 55 | 20 | 25 | 10 | 19.05 x 1.65 | 4/M6 x 25 | 25 | 0.5 |
| 3/4" | 15.8 | 55 | 20 | 38 | 10 | 19.05 x 1.65 | 4/M6 x 25 | 25 | 0.6 |
| 3/4" | 15.8 | 55 | 20 | 51 | 10 | 19.05 x 1.65 | 4/M6 x 25 | 25 | 0.7 |
| 1" | 22.1 | 85 | 43.8 | 12 | 11 | 25.4 x 1.65 | 4/M8 x 25 | 50.5 | 0.8 |
| 1" | 22.1 | 85 | 43.8 | 25 | 11 | 25.4 x 1.65 | 4/M8 x 25 | 50.5 | 1.1 |
| 1" | 22.1 | 85 | 43.8 | 38 | 11 | 25.4 x 1.65 | 4/M8 x 25 | 50.5 | 1.4 |
| 1" | 22.1 | 85 | 43.8 | 51 | 11 | 25.4 x 1.65 | 4/M8 x 25 | 50.5 | 1.7 |
| 1 1/2" | 34.8 | 85 | 43.8 | 12 | 11 | 38.1 x 1.65 | 4/M8 x 25 | 50.5 | 0.8 |
| 1 1/2" | 34.8 | 85 | 43.8 | 25 | 11 | 38.1 x 1.65 | 4/M8 x 25 | 50.5 | 1.0 |
| 1 1/2" | 34.8 | 85 | 43.8 | 38 | 11 | 38.1 x 1.65 | 4/M8 x 25 | 50.5 | 1.3 |
| 1 1/2" | 34.8 | 85 | 43.8 | 51 | 11 | 38.1 x 1.65 | 4/M8 x 25 | 50.5 | 1.5 |
| 2" | 47.5 | 100 | 55 | 15 | 11 | 50.8 x 1.65 | 4/M8 x 25 | 64 | 1.0 |
| 2" | 47.5 | 100 | 55 | 25 | 11 | 50.8 x 1.65 | 4/M8 x 25 | 64 | 1.3 |
| 2" | 47.5 | 100 | 55 | 38 | 11 | 50.8 x 1.65 | 4/M8 x 25 | 64 | 1.6 |
| 2" | 47.5 | 100 | 55 | 51 | 11 | 50.8 x 1.65 | 4/M8 x 25 | 64 | 2.0 |
| 2 1/2" | 60.2 | 112 | 65.5 | 15 | 11.5 | 63.5 x 1.65 | 4/M8 x 25 | 77.5 | 1.2 |
| 2 1/2" | 60.2 | 112 | 65.5 | 25 | 11.5 | 63.5 x 1.65 | 4/M8 x 25 | 77.5 | 1.5 |
| 2 1/2" | 60.2 | 112 | 65.5 | 38 | 11.5 | 63.5 x 1.65 | 4/M8 x 25 | 77.5 | 1.9 |
| 2 1/2" | 60.2 | 112 | 65.5 | 51 | 11.5 | 63.5 x 1.65 | 4/M8 x 25 | 77.5 | 2.3 |
| 3" | 72.9 | 131 | 77 | 15 | 13.5 | 76.2 x 1.65 | 6/M8 x 30 | 91 | 1.6 |
| 3" | 72.9 | 131 | 77 | 25 | 13.5 | 76.2 x 1.65 | 6/M8 x 30 | 91 | 2.0 |
| 3" | 72.9 | 131 | 77 | 38 | 13.5 | 76.2 x 1.65 | 6/M8 x 30 | 91 | 2.5 |
| 3" | 72.9 | 131 | 77 | 51 | 13.5 | 76.2 x 1.65 | 6/M8 x 30 | 91 | 3.0 |
| 4" | 97.4 | 170 | 105 | 15 | 14 | 101.6 x 2.11 | 8/M8 x 30 | 119 | 2.5 |
| 4" | 97.4 | 170 | 105 | 25 | 14 | 101.6 x 2.11 | 8/M8 x 30 | 119 | 3.2 |
| 4" | 97.4 | 170 | 105 | 38 | 14 | 101.6 x 2.11 | 8/M8 x 30 | 119 | 3.9 |
| 4" | 97.4 | 170 | 105 | 51 | 14 | 101.6 x 2.11 | 8/M8 x 30 | 119 | 4.8 |

AWH-Connect and Accessories

AWH-Connect with metric Thread Bolts EN 13445 (PED2014/68/EU) Inch

| Complete 1.4435/1.4404 (316L) | | | Split ring 1.4404 (316L) | | Fastening kit | | |
|-------------------------------|-----------|----------------------|--------------------------|----------------------|---------------|----------------------|--|
| DN Inch | Price/EUR | Article No. | Price/EUR | Article No. | Price/EUR | Article No. | |
| 1/2" | 105,00 | 161 0 A050 12 142 21 | 43,00 | 161 2 G025 10 022 21 | 16,00 | 161 3 M406 20 800 31 | |
| 1/2" | 109,00 | 161 0 A050 25 142 21 | 43,00 | 161 2 G025 10 022 21 | 16,00 | 161 3 M406 20 800 31 | |
| 1/2" | 116,00 | 161 0 A050 38 142 21 | 43,00 | 161 2 G025 10 022 21 | 16,00 | 161 3 M406 20 800 31 | |
| 1/2" | 121,00 | 161 0 A050 51 142 21 | 43,00 | 161 2 G025 10 022 21 | 16,00 | 161 3 M406 20 800 31 | |
| 3/4" | 105,00 | 161 0 A075 12 142 21 | 43,00 | 161 2 G025 10 022 21 | 16,00 | 161 3 M406 20 800 31 | |
| 3/4" | 109,00 | 161 0 A075 25 142 21 | 43,00 | 161 2 G025 10 022 21 | 16,00 | 161 3 M406 20 800 31 | |
| 3/4" | 116,00 | 161 0 A075 38 142 21 | 43,00 | 161 2 G025 10 022 21 | 16,00 | 161 3 M406 20 800 31 | |
| 3/4" | 121,00 | 161 0 A075 51 142 21 | 43,00 | 161 2 G025 10 022 21 | 16,00 | 161 3 M406 20 800 31 | |
| 1" | 134,00 | 161 0 A100 12 142 21 | 52,00 | 161 2 G050 11 022 21 | 15,00 | 161 3 M408 25 800 31 | |
| 1" | 143,00 | 161 0 A100 25 142 21 | 52,00 | 161 2 G050 11 022 21 | 15,00 | 161 3 M408 25 800 31 | |
| 1" | 159,00 | 161 0 A100 38 142 21 | 52,00 | 161 2 G050 11 022 21 | 15,00 | 161 3 M408 25 800 31 | |
| 1" | 178,00 | 161 0 A100 51 142 21 | 52,00 | 161 2 G050 11 022 21 | 15,00 | 161 3 M408 25 800 31 | |
| 1 1/2" | 134,00 | 161 0 A150 12 142 21 | 52,00 | 161 2 G050 11 022 21 | 15,00 | 161 3 M408 25 800 31 | |
| 1 1/2" | 143,00 | 161 0 A150 25 142 21 | 52,00 | 161 2 G050 11 022 21 | 15,00 | 161 3 M408 25 800 31 | |
| 1 1/2" | 159,00 | 161 0 A150 38 142 21 | 52,00 | 161 2 G050 11 022 21 | 15,00 | 161 3 M408 25 800 31 | |
| 1 1/2" | 178,00 | 161 0 A150 51 142 21 | 52,00 | 161 2 G050 11 022 21 | 15,00 | 161 3 M408 25 800 31 | |
| 2" | 159,00 | 161 0 A200 15 142 21 | 60,00 | 161 2 G064 11 022 21 | 15,00 | 161 3 M408 25 800 31 | |
| 2" | 165,00 | 161 0 A200 25 142 21 | 60,00 | 161 2 G064 11 022 21 | 15,00 | 161 3 M408 25 800 31 | |
| 2" | 185,00 | 161 0 A200 38 142 21 | 60,00 | 161 2 G064 11 022 21 | 15,00 | 161 3 M408 25 800 31 | |
| 2" | 202,00 | 161 0 A200 51 142 21 | 60,00 | 161 2 G064 11 022 21 | 15,00 | 161 3 M408 25 800 31 | |
| 2 1/2" | 168,00 | 161 0 A250 15 142 21 | 67,00 | 161 2 G077 11 022 21 | 15,00 | 161 3 M408 25 800 31 | |
| 2 1/2" | 181,00 | 161 0 A250 25 142 21 | 67,00 | 161 2 G077 11 022 21 | 15,00 | 161 3 M408 25 800 31 | |
| 2 1/2" | 199,00 | 161 0 A250 38 142 21 | 67,00 | 161 2 G077 11 022 21 | 15,00 | 161 3 M408 25 800 31 | |
| 2 1/2" | 217,00 | 161 0 A250 51 142 21 | 67,00 | 161 2 G077 11 022 21 | 15,00 | 161 3 M408 25 800 31 | |
| 3" | 219,00 | 161 0 A300 15 142 21 | 107,00 | 161 2 G091 13 022 21 | 25,00 | 161 3 M608 30 800 31 | |
| 3" | 223,00 | 161 0 A300 25 142 21 | 107,00 | 161 2 G091 13 022 21 | 25,00 | 161 3 M608 30 800 31 | |
| 3" | 244,00 | 161 0 A300 38 142 21 | 107,00 | 161 2 G091 13 022 21 | 25,00 | 161 3 M608 30 800 31 | |
| 3" | 260,00 | 161 0 A300 51 142 21 | 107,00 | 161 2 G091 13 022 21 | 25,00 | 161 3 M608 30 800 31 | |
| 4" | 389,00 | 161 0 A400 15 142 21 | 189,00 | 161 2 G119 13 022 21 | 33,00 | 161 3 M808 30 800 31 | |
| 4" | 444,00 | 161 0 A400 25 142 21 | 189,00 | 161 2 G119 13 022 21 | 33,00 | 161 3 M808 30 800 31 | |
| 4" | 482,00 | 161 0 A400 38 142 21 | 189,00 | 161 2 G119 13 022 21 | 33,00 | 161 3 M808 30 800 31 | |
| 4" | 496,00 | 161 0 A400 51 142 21 | 189,00 | 161 2 G119 13 022 21 | 33,00 | 161 3 M808 30 800 31 | |

AWH-Connect and Accessories



AWH-Connect with metric Thread Bolts EN 13445 (PED 2014/68/EU) SMS

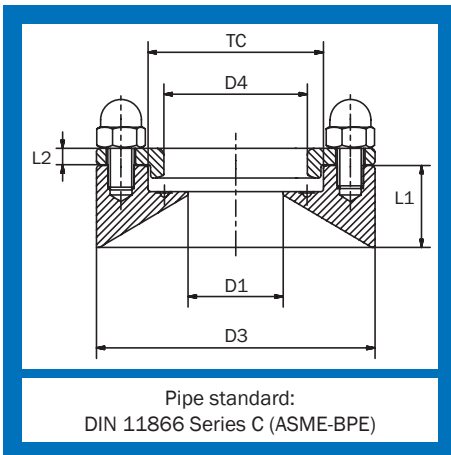
| DN SMS | D1 | D3 | D4 | L1 | L2 | Pipe-Ø | Thread bolts | TC | Weight [kg] |
|--------|------|-----|------|----|------|------------|--------------|------|-------------|
| 12 | 10 | 55 | 20 | 12 | 10 | 12 x 1 | 4/M6 x 25 | 25 | 0.4 |
| 12 | 10 | 55 | 20 | 25 | 10 | 12 x 1 | 4/M6 x 25 | 25 | 0.5 |
| 12 | 10 | 55 | 20 | 38 | 10 | 12 x 1 | 4/M6 x 25 | 25 | 0.6 |
| 12 | 10 | 55 | 20 | 51 | 10 | 12 x 1 | 4/M6 x 25 | 25 | 0.8 |
| 18 | 15 | 55 | 20 | 12 | 10 | 18 X 1 | 4/M6 x 25 | 25 | 0.4 |
| 18 | 15 | 55 | 20 | 25 | 10 | 18 X 1 | 4/M6 x 25 | 25 | 0.5 |
| 18 | 15 | 55 | 20 | 38 | 10 | 18 X 1 | 4/M6 x 25 | 25 | 0.6 |
| 18 | 15 | 55 | 20 | 51 | 10 | 18 X 1 | 4/M6 x 25 | 25 | 0.8 |
| 25 | 22.6 | 85 | 43.8 | 12 | 11 | 25 x 1.2 | 4/M8 x 25 | 50.5 | 0.8 |
| 25 | 22.6 | 85 | 43.8 | 25 | 11 | 25 x 1.2 | 4/M8 x 25 | 50.5 | 1.1 |
| 25 | 22.6 | 85 | 43.8 | 38 | 11 | 25 x 1.2 | 4/M8 x 25 | 50.5 | 1.3 |
| 25 | 22.6 | 85 | 43.8 | 51 | 11 | 25 x 1.2 | 4/M8 x 25 | 50.5 | 1.7 |
| 38 | 35.6 | 85 | 43.8 | 12 | 11 | 38 x 1.2 | 4/M8 x 25 | 50.5 | 0.8 |
| 38 | 35.6 | 85 | 43.8 | 25 | 11 | 38 x 1.2 | 4/M8 x 25 | 50.5 | 1.0 |
| 38 | 35.6 | 85 | 43.8 | 38 | 11 | 38 x 1.2 | 4/M8 x 25 | 50.5 | 1.3 |
| 38 | 35.6 | 85 | 43.8 | 51 | 11 | 38 x 1.2 | 4/M8 x 25 | 50.5 | 1.6 |
| 51 | 48.6 | 100 | 55 | 15 | 11 | 51 x 1.2 | 4/M8 x 25 | 64 | 1.0 |
| 51 | 48.6 | 100 | 55 | 25 | 11 | 51 x 1.2 | 4/M8 x 25 | 64 | 1.3 |
| 51 | 48.6 | 100 | 55 | 38 | 11 | 51 x 1.2 | 4/M8 x 25 | 64 | 1.6 |
| 51 | 48.6 | 100 | 55 | 51 | 11 | 51 x 1.2 | 4/M8 x 25 | 64 | 2.0 |
| 63 | 60.3 | 112 | 65.5 | 15 | 11.5 | 63.5 x 1.6 | 4/M8 x 25 | 77.5 | 1.2 |
| 63 | 60.3 | 112 | 65.5 | 25 | 11.5 | 63.5 x 1.6 | 4/M8 x 25 | 77.5 | 1.5 |
| 63 | 60.3 | 112 | 65.5 | 38 | 11.5 | 63.5 x 1.6 | 4/M8 x 25 | 77.5 | 1.9 |
| 63 | 60.3 | 112 | 65.5 | 51 | 11.5 | 63.5 x 1.6 | 4/M8 x 25 | 77.5 | 2.3 |
| 76 | 72.9 | 131 | 77 | 15 | 13.5 | 76.1 x 1.6 | 6/M8 x 30 | 91 | 1.6 |
| 76 | 72.9 | 131 | 77 | 25 | 13.5 | 76.1 x 1.6 | 6/M8 x 30 | 91 | 2.0 |
| 76 | 72.9 | 131 | 77 | 38 | 13.5 | 76.1 x 1.6 | 6/M8 x 30 | 91 | 2.5 |
| 76 | 72.9 | 131 | 77 | 51 | 13.5 | 76.1 x 1.6 | 6/M8 x 30 | 91 | 3.0 |
| 102 | 97.6 | 170 | 105 | 15 | 14 | 101.6 x 2 | 8/M8 x 30 | 119 | 2.7 |
| 102 | 97.6 | 170 | 105 | 25 | 14 | 101.6 x 2 | 8/M8 x 30 | 119 | 3.4 |
| 102 | 97.6 | 170 | 105 | 38 | 14 | 101.6 x 2 | 8/M8 x 30 | 119 | 4.1 |
| 102 | 97.6 | 170 | 105 | 51 | 14 | 101.6 x 2 | 8/M8 x 30 | 119 | 5.0 |

AWH-Connect and Accessories

AWH-Connect with metric Thread Bolts EN 13445 (PED 2014/68/EU) SMS

| Complete 1.4435/1.4404 (316L) | | | Split ring 1.4404 (316L) | | Fastening kit | | |
|-------------------------------|-----------|----------------------|--------------------------|----------------------|---------------|----------------------|--|
| DN SMS | Price/EUR | Article No. | Price/EUR | Article No. | Price/EUR | Article No. | |
| 12 | 105,00 | 161 0 S012 12 142 21 | 43,00 | 161 2 G025 10 022 21 | 16,00 | 161 3 M406 20 800 31 | |
| 12 | 109,00 | 161 0 S012 25 142 21 | 43,00 | 161 2 G025 10 022 21 | 16,00 | 161 3 M406 20 800 31 | |
| 12 | 116,00 | 161 0 S012 38 142 21 | 43,00 | 161 2 G025 10 022 21 | 16,00 | 161 3 M406 20 800 31 | |
| 12 | 121,00 | 161 0 S012 51 142 21 | 43,00 | 161 2 G025 10 022 21 | 16,00 | 161 3 M406 20 800 31 | |
| 18 | 105,00 | 161 0 S018 12 142 21 | 43,00 | 161 2 G025 10 022 21 | 16,00 | 161 3 M406 20 800 31 | |
| 18 | 109,00 | 161 0 S018 25 142 21 | 43,00 | 161 2 G025 10 022 21 | 16,00 | 161 3 M406 20 800 31 | |
| 18 | 116,00 | 161 0 S018 38 142 21 | 43,00 | 161 2 G025 10 022 21 | 16,00 | 161 3 M406 20 800 31 | |
| 18 | 121,00 | 161 0 S018 51 142 21 | 43,00 | 161 2 G025 10 022 21 | 16,00 | 161 3 M406 20 800 31 | |
| 25 | 134,00 | 161 0 S025 12 142 21 | 52,00 | 161 2 G050 11 022 21 | 15,00 | 161 3 M408 25 800 31 | |
| 25 | 143,00 | 161 0 S025 25 142 21 | 52,00 | 161 2 G050 11 022 21 | 15,00 | 161 3 M408 25 800 31 | |
| 25 | 159,00 | 161 0 S025 38 142 21 | 52,00 | 161 2 G050 11 022 21 | 15,00 | 161 3 M408 25 800 31 | |
| 25 | 178,00 | 161 0 S025 51 142 21 | 52,00 | 161 2 G050 11 022 21 | 15,00 | 161 3 M408 25 800 31 | |
| 38 | 134,00 | 161 0 S038 12 142 21 | 52,00 | 161 2 G050 11 022 21 | 15,00 | 161 3 M408 25 800 31 | |
| 38 | 143,00 | 161 0 S038 25 142 21 | 52,00 | 161 2 G050 11 022 21 | 15,00 | 161 3 M408 25 800 31 | |
| 38 | 159,00 | 161 0 S038 38 142 21 | 52,00 | 161 2 G050 11 022 21 | 15,00 | 161 3 M408 25 800 31 | |
| 38 | 178,00 | 161 0 S038 51 142 21 | 52,00 | 161 2 G050 11 022 21 | 15,00 | 161 3 M408 25 800 31 | |
| 51 | 159,00 | 161 0 S051 15 142 21 | 60,00 | 161 2 G064 11 022 21 | 15,00 | 161 3 M408 25 800 31 | |
| 51 | 165,00 | 161 0 S051 25 142 21 | 60,00 | 161 2 G064 11 022 21 | 15,00 | 161 3 M408 25 800 31 | |
| 51 | 185,00 | 161 0 S051 38 142 21 | 60,00 | 161 2 G064 11 022 21 | 15,00 | 161 3 M408 25 800 31 | |
| 51 | 202,00 | 161 0 S051 51 142 21 | 60,00 | 161 2 G064 11 022 21 | 15,00 | 161 3 M408 25 800 31 | |
| 63 | 168,00 | 161 0 S063 15 142 21 | 67,00 | 161 2 G077 11 022 21 | 15,00 | 161 3 M408 25 800 31 | |
| 63 | 181,00 | 161 0 S063 25 142 21 | 67,00 | 161 2 G077 11 022 21 | 15,00 | 161 3 M408 25 800 31 | |
| 63 | 199,00 | 161 0 S063 38 142 21 | 67,00 | 161 2 G077 11 022 21 | 15,00 | 161 3 M408 25 800 31 | |
| 63 | 217,00 | 161 0 S063 51 142 21 | 67,00 | 161 2 G077 11 022 21 | 15,00 | 161 3 M408 25 800 31 | |
| 76 | 219,00 | 161 0 S076 15 142 21 | 107,00 | 161 2 G091 13 022 21 | 25,00 | 161 3 M608 30 800 31 | |
| 76 | 223,00 | 161 0 S076 25 142 21 | 107,00 | 161 2 G091 13 022 21 | 25,00 | 161 3 M608 30 800 31 | |
| 76 | 244,00 | 161 0 S076 38 142 21 | 107,00 | 161 2 G091 13 022 21 | 25,00 | 161 3 M608 30 800 31 | |
| 76 | 260,00 | 161 0 S076 51 142 21 | 107,00 | 161 2 G091 13 022 21 | 25,00 | 161 3 M608 30 800 31 | |
| 102 | 389,00 | 161 0 S102 15 142 21 | 189,00 | 161 2 G119 14 022 21 | 33,00 | 161 3 M808 30 800 31 | |
| 102 | 444,00 | 161 0 S102 25 142 21 | 189,00 | 161 2 G119 14 022 21 | 33,00 | 161 3 M808 30 800 31 | |
| 102 | 482,00 | 161 0 S102 38 142 21 | 189,00 | 161 2 G119 14 022 21 | 33,00 | 161 3 M808 30 800 31 | |
| 102 | 496,00 | 161 0 S102 51 142 21 | 189,00 | 161 2 G119 14 022 21 | 33,00 | 161 3 M808 30 800 31 | |

AWH-Connect and Accessories



AWH-Connect with metric Thread Bolts ASME VIII Inch

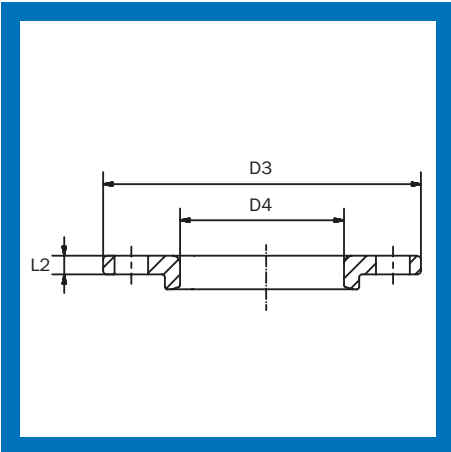
| DN Inch | D1 | D3 | D4 | L1 | L2 | Pipe-Ø | Thread bolts | TC | Weight [kg] |
|---------|------|-----|------|----|------|--------------|--------------|------|-------------|
| 1/2" | 9.4 | 55 | 20 | 12 | 10 | 12.7 x 1.65 | 4/M6 x 25 | 25 | 0.4 |
| 1/2" | 9.4 | 55 | 20 | 25 | 10 | 12.7 x 1.65 | 4/M6 x 25 | 25 | 0.5 |
| 1/2" | 9.4 | 55 | 20 | 38 | 10 | 12.7 x 1.65 | 4/M6 x 25 | 25 | 0.6 |
| 1/2" | 9.4 | 55 | 20 | 51 | 10 | 12.7 x 1.65 | 4/M6 x 25 | 25 | 0.8 |
| 3/4" | 15.8 | 55 | 20 | 12 | 10 | 19.05 x 1.65 | 4/M6 x 25 | 25 | 0.4 |
| 3/4" | 15.8 | 55 | 20 | 25 | 10 | 19.05 x 1.65 | 4/M6 x 25 | 25 | 0.5 |
| 3/4" | 15.8 | 55 | 20 | 38 | 10 | 19.05 x 1.65 | 4/M6 x 25 | 25 | 0.6 |
| 3/4" | 15.8 | 55 | 20 | 51 | 10 | 19.05 x 1.65 | 4/M6 x 25 | 25 | 0.7 |
| 1" | 22.1 | 85 | 43.8 | 12 | 11 | 25.4 x 1.65 | 4/M8 x 25 | 50.5 | 0.8 |
| 1" | 22.1 | 85 | 43.8 | 25 | 11 | 25.4 x 1.65 | 4/M8 x 25 | 50.5 | 1.1 |
| 1" | 22.1 | 85 | 43.8 | 38 | 11 | 25.4 x 1.65 | 4/M8 x 25 | 50.5 | 1.4 |
| 1" | 22.1 | 85 | 43.8 | 51 | 11 | 25.4 x 1.65 | 4/M8 x 25 | 50.5 | 1.7 |
| 1 1/2" | 34.8 | 85 | 43.8 | 12 | 11 | 38.1 x 1.65 | 4/M8 x 25 | 50.5 | 0.8 |
| 1 1/2" | 34.8 | 85 | 43.8 | 25 | 11 | 38.1 x 1.65 | 4/M8 x 25 | 50.5 | 1.0 |
| 1 1/2" | 34.8 | 85 | 43.8 | 38 | 11 | 38.1 x 1.65 | 4/M8 x 25 | 50.5 | 1.3 |
| 1 1/2" | 34.8 | 85 | 43.8 | 51 | 11 | 38.1 x 1.65 | 4/M8 x 25 | 50.5 | 1.5 |
| 2" | 47.5 | 100 | 55 | 15 | 11 | 50.8 x 1.65 | 4/M8 x 25 | 64 | 1.0 |
| 2" | 47.5 | 100 | 55 | 25 | 11 | 50.8 x 1.65 | 4/M8 x 25 | 64 | 1.3 |
| 2" | 47.5 | 100 | 55 | 38 | 11 | 50.8 x 1.65 | 4/M8 x 25 | 64 | 1.6 |
| 2" | 47.5 | 100 | 55 | 51 | 11 | 50.8 x 1.65 | 4/M8 x 25 | 64 | 2.0 |
| 2 1/2" | 60.2 | 112 | 65.5 | 15 | 11.5 | 63.5 x 1.65 | 4/M8 x 25 | 77.5 | 1.2 |
| 2 1/2" | 60.2 | 112 | 65.5 | 25 | 11.5 | 63.5 x 1.65 | 4/M8 x 25 | 77.5 | 1.5 |
| 2 1/2" | 60.2 | 112 | 65.5 | 38 | 11.5 | 63.5 x 1.65 | 4/M8 x 25 | 77.5 | 1.9 |
| 2 1/2" | 60.2 | 112 | 65.5 | 51 | 11.5 | 63.5 x 1.65 | 4/M8 x 25 | 77.5 | 2.3 |
| 3" | 72.9 | 131 | 77 | 15 | 13.5 | 76.2 x 1.65 | 6/M8 x 30 | 91 | 1.6 |
| 3" | 72.9 | 131 | 77 | 25 | 13.5 | 76.2 x 1.65 | 6/M8 x 30 | 91 | 2.0 |
| 3" | 72.9 | 131 | 77 | 38 | 13.5 | 76.2 x 1.65 | 6/M8 x 30 | 91 | 2.5 |
| 3" | 72.9 | 131 | 77 | 51 | 13.5 | 76.2 x 1.65 | 6/M8 x 30 | 91 | 3.0 |
| 4" | 97.4 | 170 | 105 | 15 | 14 | 101.6 x 2.11 | 8/M8 x 30 | 119 | 2.5 |
| 4" | 97.4 | 170 | 105 | 25 | 14 | 101.6 x 2.11 | 8/M8 x 30 | 119 | 3.2 |
| 4" | 97.4 | 170 | 105 | 38 | 14 | 101.6 x 2.11 | 8/M8 x 30 | 119 | 3.9 |
| 4" | 97.4 | 170 | 105 | 51 | 14 | 101.6 x 2.11 | 8/M8 x 30 | 119 | 4.8 |

AWH-Connect and Accessories

AWH-Connect with metric Thread Bolts ASME VIII Inch

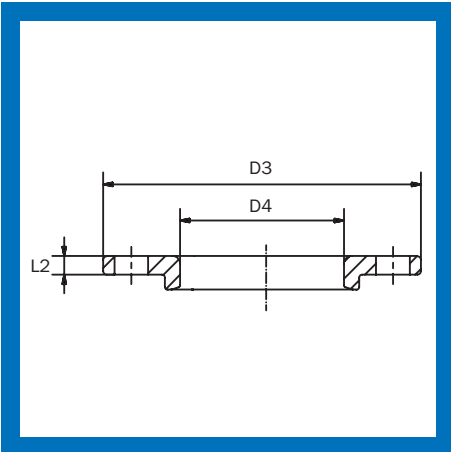
| Complete 1.4404 (316L) | | | Split ring 1.4404 (316L) | | Fastening kit | | |
|------------------------|-----------|----------------------|--------------------------|----------------------|---------------|----------------------|--|
| DN Inch | Price/EUR | Article No. | Price/EUR | Article No. | Price/EUR | Article No. | |
| 1/2" | 131,00 | 161 0 A050 12 142 41 | 43,00 | 161 2 G025 10 022 21 | 50,00 | 161 3 M406 20 900 41 | |
| 1/2" | 134,00 | 161 0 A050 25 142 41 | 43,00 | 161 2 G025 10 022 21 | 50,00 | 161 3 M406 20 900 41 | |
| 1/2" | 142,00 | 161 0 A050 38 142 41 | 43,00 | 161 2 G025 10 022 21 | 50,00 | 161 3 M406 20 900 41 | |
| 1/2" | 147,00 | 161 0 A050 51 142 41 | 43,00 | 161 2 G025 10 022 21 | 50,00 | 161 3 M406 20 900 41 | |
| 3/4" | 131,00 | 161 0 A075 12 142 41 | 43,00 | 161 2 G025 10 022 21 | 50,00 | 161 3 M406 20 900 41 | |
| 3/4" | 134,00 | 161 0 A075 25 142 41 | 43,00 | 161 2 G025 10 022 21 | 50,00 | 161 3 M406 20 900 41 | |
| 3/4" | 142,00 | 161 0 A075 38 142 41 | 43,00 | 161 2 G025 10 022 21 | 50,00 | 161 3 M406 20 900 41 | |
| 3/4" | 147,00 | 161 0 A075 51 142 41 | 43,00 | 161 2 G025 10 022 21 | 50,00 | 161 3 M406 20 900 41 | |
| 1" | 159,00 | 161 0 A100 12 142 41 | 52,00 | 161 2 G050 11 022 21 | 44,00 | 161 3 M408 25 900 41 | |
| 1" | 167,00 | 161 0 A100 25 142 41 | 52,00 | 161 2 G050 11 022 21 | 44,00 | 161 3 M408 25 900 41 | |
| 1" | 183,00 | 161 0 A100 38 142 41 | 52,00 | 161 2 G050 11 022 21 | 44,00 | 161 3 M408 25 900 41 | |
| 1" | 202,00 | 161 0 A100 51 142 41 | 52,00 | 161 2 G050 11 022 21 | 44,00 | 161 3 M408 25 900 41 | |
| 1 1/2" | 159,00 | 161 0 A150 12 142 41 | 52,00 | 161 2 G050 11 022 21 | 44,00 | 161 3 M408 25 900 41 | |
| 1 1/2" | 167,00 | 161 0 A150 25 142 41 | 52,00 | 161 2 G050 11 022 21 | 44,00 | 161 3 M408 25 900 41 | |
| 1 1/2" | 183,00 | 161 0 A150 38 142 41 | 52,00 | 161 2 G050 11 022 21 | 44,00 | 161 3 M408 25 900 41 | |
| 1 1/2" | 202,00 | 161 0 A150 51 142 41 | 52,00 | 161 2 G050 11 022 21 | 44,00 | 161 3 M408 25 900 41 | |
| 2" | 183,00 | 161 0 A200 15 142 41 | 60,00 | 161 2 G064 11 022 21 | 44,00 | 161 3 M408 25 900 41 | |
| 2" | 189,00 | 161 0 A200 25 142 41 | 60,00 | 161 2 G064 11 022 21 | 44,00 | 161 3 M408 25 900 41 | |
| 2" | 209,00 | 161 0 A200 38 142 41 | 60,00 | 161 2 G064 11 022 21 | 44,00 | 161 3 M408 25 900 41 | |
| 2" | 226,00 | 161 0 A200 51 142 41 | 60,00 | 161 2 G064 11 022 21 | 44,00 | 161 3 M408 25 900 41 | |
| 2 1/2" | 193,00 | 161 0 A250 15 142 41 | 67,00 | 161 2 G077 11 022 21 | 44,00 | 161 3 M408 25 900 41 | |
| 2 1/2" | 206,00 | 161 0 A250 25 142 41 | 67,00 | 161 2 G077 11 022 21 | 44,00 | 161 3 M408 25 900 41 | |
| 2 1/2" | 223,00 | 161 0 A250 38 142 41 | 67,00 | 161 2 G077 11 022 21 | 44,00 | 161 3 M408 25 900 41 | |
| 2 1/2" | 242,00 | 161 0 A250 51 142 41 | 67,00 | 161 2 G077 11 022 21 | 44,00 | 161 3 M408 25 900 41 | |
| 3" | 259,00 | 161 0 A300 15 142 41 | 107,00 | 161 2 G091 13 022 21 | 66,00 | 161 3 M608 30 900 41 | |
| 3" | 263,00 | 161 0 A300 25 142 41 | 107,00 | 161 2 G091 13 022 21 | 66,00 | 161 3 M608 30 900 41 | |
| 3" | 284,00 | 161 0 A300 38 142 41 | 107,00 | 161 2 G091 13 022 21 | 66,00 | 161 3 M608 30 900 41 | |
| 3" | 299,00 | 161 0 A300 51 142 41 | 107,00 | 161 2 G091 13 022 21 | 66,00 | 161 3 M608 30 900 41 | |
| 4" | 450,00 | 161 0 A400 15 142 41 | 189,00 | 161 2 G119 13 022 21 | 88,00 | 161 3 M808 30 900 41 | |
| 4" | 506,00 | 161 0 A400 25 142 41 | 189,00 | 161 2 G119 13 022 21 | 88,00 | 161 3 M808 30 900 41 | |
| 4" | 543,00 | 161 0 A400 38 142 41 | 189,00 | 161 2 G119 13 022 21 | 88,00 | 161 3 M808 30 900 41 | |
| 4" | 558,00 | 161 0 A400 51 142 41 | 189,00 | 161 2 G119 13 022 21 | 88,00 | 161 3 M808 30 900 41 | |

AWH-Connect and Accessories



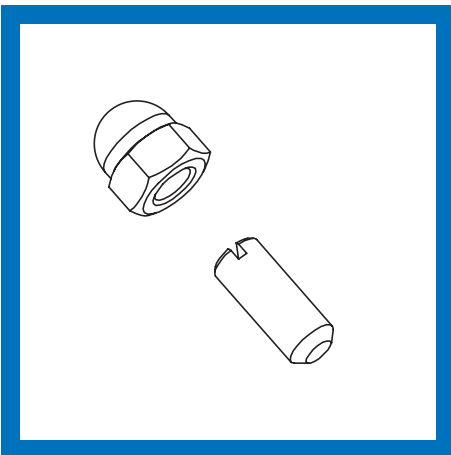
Split Ring for AWH-Connect AD2000 Data Sheet (PED 2014/68/EU)

| D3 | D4 | L2 | Flange holes | TC | Weight [kg] |
|-------|------|-----|--------------|------|-------------|
| 55 | 20 | 5 | 4/7 | 25 | 0.08 |
| 70 | 28.8 | 5 | 4/9 | 34 | 0.13 |
| 85 | 43.8 | 5 | 4/9 | 50.5 | 0.17 |
| 100 | 55 | 6 | 4/9 | 64 | 0.28 |
| 112 | 65.5 | 9.5 | 4/9 | 77.5 | 0.50 |
| 125 | 77 | 10 | 6/9 | 91 | 0.62 |
| 141.5 | 93.5 | 10 | 6/9 | 106 | 0.73 |
| 160 | 105 | 12 | 8/9 | 119 | 1.11 |
| 160 | 116 | 12 | 8/9 | 130 | 1.03 |



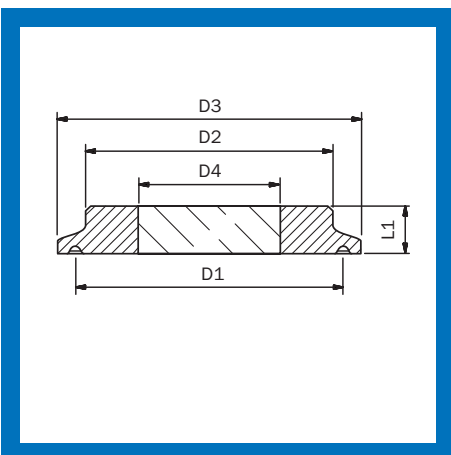
Split Ring for AWH-Connect EN 13445 (PED 2014/68/EU) / ASME VIII

| D3 | D4 | L2 | Flange holes | TC | Weight [kg] |
|-------|------|------|--------------|------|-------------|
| 55 | 20 | 10 | 4/7 | 25 | 0.16 |
| 70 | 28.8 | 11 | 4/7 | 34 | 0.27 |
| 85 | 43.8 | 11 | 4/9 | 50.5 | 0.36 |
| 100 | 55 | 11 | 4/9 | 64 | 0.49 |
| 112 | 65.5 | 11.5 | 4/9 | 77.5 | 0.61 |
| 125 | 77 | 13.5 | 6/9 | 91 | 0.83 |
| 141.5 | 93.5 | 13.5 | 6/9 | 106 | 0.97 |
| 160 | 105 | 14 | 8/9 | 119 | 1.29 |
| 164 | 116 | 14 | 8/9 | 130 | 1.19 |



Fastening Kit for AWH-Connect

| Bolts | Nuts | Weight [kg] |
|-----------|------|-------------|
| 4/M6 x 16 | 4/M6 | 0.03 |
| 4/M6 x 25 | 4/M6 | 0.04 |
| 4/M8 x 20 | 4/M8 | 0.07 |
| 4/M8 x 25 | 4/M8 | 0.07 |
| 6/M8 x 25 | 6/M8 | 0.11 |
| 4/M8 x 30 | 4/M8 | 0.09 |
| 6/M8 x 30 | 6/M8 | 0.14 |
| 8/M8 x 30 | 8/M8 | 0.18 |



AWH-Connect Sight Glass for Clamp Connection DIN 32676

| DN DIN | DN Inch | D1 | D2 | D3 | D4 | L1 | Weight [kg] |
|---------|-------------|------|------|------|----|----|-------------|
| 25 - 40 | 1" / 1 1/2" | 43.5 | 38 | 50.5 | 25 | 10 | 0.13 |
| 50 | 2" | 56.5 | 52 | 64 | 30 | 10 | 0.14 |
| | 2 1/2" | 70.5 | 63.5 | 77.5 | 35 | 10 | 0.28 |
| 65 | 3" | 83.5 | 76 | 91 | 40 | 10 | 0.38 |
| 80 | | 97 | 90 | 106 | 50 | 10 | 0.50 |
| 100 | 4" | 110 | 101 | 119 | 55 | 12 | 0.80 |

AWH-Connect and Accessories

Split Ring for AWH-Connect AD2000 Data Sheet (PED 2014/68/EU)

| 1.4404 (316L) | | |
|---------------|-----------|----------------------|
| D3 | Price/EUR | Article No. |
| 55 | 33,00 | 161 2 G025 05 022 11 |
| 70 | 32,00 | 161 2 G034 05 022 11 |
| 85 | 35,00 | 161 2 G050 05 022 11 |
| 100 | 44,00 | 161 2 G064 06 022 11 |
| 112 | 57,00 | 161 2 G077 09 022 11 |
| 125 | 101,00 | 161 2 G091 10 022 11 |
| 141.5 | 120,00 | 161 2 G106 10 022 11 |
| 160 | 181,00 | 161 2 G119 12 022 11 |
| 160 | 182,00 | 161 2 G130 12 022 11 |
| | | |
| | | |
| | | |

Split Ring for AWH-Connect EN 13445 (PED 2014/68/EU) / ASME VIII

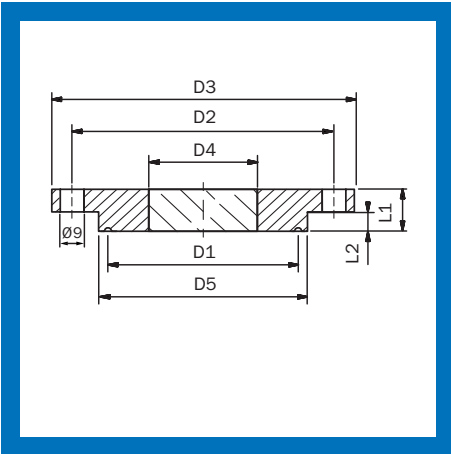
| 1.4404 (316L) | | |
|---------------|-----------|----------------------|
| D3 | Price/EUR | Article No. |
| 55 | 43,00 | 161 2 G025 10 022 21 |
| 70 | 42,00 | 161 2 G034 11 022 21 |
| 85 | 52,00 | 161 2 G050 11 022 21 |
| 100 | 60,00 | 161 2 G064 11 022 21 |
| 112 | 67,00 | 161 2 G077 11 022 21 |
| 125 | 107,00 | 161 2 G091 13 022 21 |
| 141.5 | 121,00 | 161 2 G106 13 022 21 |
| 160 | 189,00 | 161 2 G119 14 022 21 |
| 164 | 275,00 | 161 2 G130 14 022 21 |
| | | |
| | | |
| | | |

Fastening Kit for AWH-Connect

| A4-70/A4-50 | | | SA193 B8M / SA194 8M | |
|-------------|-----------|----------------------|----------------------|----------------------|
| Nuts | Price/EUR | Article No. | Price/EUR | Article No. |
| 4/M6 | 16,00 | 161 3 M406 16 800 31 | | |
| 4/M6 | 16,00 | 161 3 M406 25 800 31 | 50,00 | 161 3 M406 25 900 41 |
| 4/M8 | 14,00 | 161 3 M408 20 800 31 | | |
| 4/M8 | 15,00 | 161 3 M408 25 800 31 | 44,00 | 161 3 M408 25 900 41 |
| 6/M8 | 23,00 | 161 3 M608 25 800 31 | | |
| 4/M8 | 17,00 | 161 3 M408 30 800 31 | | |
| 6/M8 | 25,00 | 161 3 M608 30 800 31 | 66,00 | 161 3 M608 30 900 41 |
| 8/M8 | 33,00 | 161 3 M808 30 800 31 | 88,00 | 161 3 M808 30 900 41 |
| | | | | |
| | | | | |
| | | | | |

AWH-Connect Sight Glass for Clamp Connection DIN 32676

| 1.4462 / borosilicate | | | |
|-----------------------|-------------|-----------|----------------------|
| DN DIN | DN Inch | Price/EUR | Article No. |
| 25 - 40 | 1" / 1 1/2" | 163,40 | 161 S 0508 01 061 11 |
| 50 | 2" | 174,10 | 161 S 0648 01 061 11 |
| | 2 1/2" | 200,90 | 161 S 0778 01 061 11 |
| 65 | 3" | 232,90 | 161 S 0918 01 061 11 |
| 80 | | 267,80 | 161 S 1068 01 061 11 |
| 100 | 4" | 332,10 | 161 S 1198 01 061 11 |
| | | | |
| | | | |
| | | | |
| | | | |



Sight Glass Flange for AWH-Connect

| DN DIN | DN Inch | D1 | D2 | D3 | D4 | D5 | L1 | L2 | Weight [kg] |
|---------|-------------|------|-----|-----|----|------|----|-----|-------------|
| 25 - 40 | 1" / 1 1/2" | 43.5 | 70 | 85 | 30 | 50.5 | 13 | 7 | 0.32 |
| 50 | 2" | 56.5 | 83 | 100 | 35 | 64 | 14 | 8 | 0.50 |
| | 2 1/2" | 70.5 | 97 | 112 | 40 | 77.5 | 17 | 8 | 0.87 |
| 65 | 3" | 83.5 | 110 | 131 | 45 | 91 | 18 | 8 | 1.31 |
| 80 | | 97 | 125 | 140 | 60 | 106 | 18 | 8 | 1.47 |
| 100 | 4" | 110 | 142 | 170 | 65 | 119 | 18 | 7.5 | 1.95 |
| | | | | | | | | | |
| | | | | | | | | | |
| | | | | | | | | | |

AWH-Connect and Accessories

Sight Glass Flange for AWH-Connect

| 1,4462 / borosilicate | | | |
|-----------------------|-------------|-----------|----------------------|
| DN DIN | DN Inch | Price/EUR | Article No. |
| 25 - 40 | 1" / 1 1/2" | 449,90 | 161 S 0509 91 061 11 |
| 50 | 2" | 495,50 | 161 S 0649 91 061 11 |
| | 2 1/2" | 581,20 | 161 S 0779 91 061 11 |
| 65 | 3" | 674,90 | 161 S 0919 91 061 11 |
| 80 | | 731,10 | 161 S 1069 91 061 11 |
| 100 | 4" | 816,80 | 161 S 1199 91 061 11 |
| | | | |
| | | | |
| | | | |
| | | | |

AWH-Lids Technical Information

Pressure Equipment Directive (DGRL) in Relation to the Tank Lids

The introduction of the new pressure equipment directive 2014/68/EU has been created as a basis for free trade within the European Union. The introduction of this standardized directive for manufacturing pressure devices and parts creates the necessary conditions for fair and clear competition between the EU member states.

Technical scope

The pressure equipment directive states that only complete piping or tanks can be tested. This means that, according to the pressure equipment directive, individual components (e.g. individual pipes, screw connections, T-pieces, bends and similar parts) cannot carry the CE label.

Guideline 1/22 supports this statement. This guideline contains notes for applying the directive to components for pressure vessels. The components must be designed and manufactured according to the requirements of the pressure equipment directive. Since these parts do not correspond to the definition for pressure equipment Article 1 Paragraph (2) No. 2.1, they are not given a CE label. The manufacturer of the pressure equipment is responsible for this and must ensure that the components used enable the pressure equipment to fulfill the key safety requirements specified in the directive.

Use with a pressure dome lid

AWH and Boyer, our partners in the tank lids range, are authorized to manufacture pressure equipment according to the pressure equipment directive. The necessary valid welding authorizations, a QA department, the TÜV marking transfer certificate, as well as a "notified body" certificate for manufacturing pressure equipment are present.

The tank lids assembly group is a component for pressure equipment and, according to guideline 1.22 (see above), falls outside the direct testing requirements defined in the pressure equipment directive. When welded on to the tank, however, the lid is subject to the test requirements in accordance with the pressure equipment directive.

In deviation from the pressure equipment directive, AWH can provide a component test for the pressure dome lid on request. This enables you to incorporate the pressure dome lid easily in your pressure equipment directive overall test.

The scope of supply for the type-tested pressure dome lid includes

- EC declaration of conformity
- Test report for the component test
- Operating instructions
- Material certificate list with drawing

Use with storage tank lid

Due to Article 1, Point 3.2.1, storage tanks fall outside the scope of the pressure equipment directive. Storage tanks are vessels where the gas pressure over the fluid must not exceed 0.5 bar. When choosing the lid, it is important to consider the prevalent operating pressure, which must not exceed the maximum permissible pressure for the lid.

Seal Ring for AWH-Lids

The chemical resistance of the seals is heavily influenced by the temperature of the liquid, the duration of contact and, in the case of chemical solutions, the concentration of the active product. The following strength values are for orientation purposes only and are fundamentally influenced by the following factors: Composition of the rubber mixture, changes in temperature or degree of expansion, weathering influences, duration of stress etc.

| Technical Parameters | | | |
|----------------------|--------------------------|----------------------------|--------------------------------|
| Sealing material | Color* | F.D.A. | Max. temperature |
| EPDM | Grey | Section 21 CFR 177.2600 | -40 to +130 °C / -40 to 266 °F |
| FKM | Black | Section 21 CFR 177.2600 | -10 to +200 °C / 14 to 392 °F |
| Natural rubber | White | Section 21 CFR 177.2600 | -40 to +70 °C / -40 to 158 °F |
| NBR | Bronze | Section 21 CFR 177.2600 | -20 to +110 °C / -4 to 230 °F |
| Silicon | Yellow-white translucent | Section 21 CFR 177.2600 | -50 to +200 °C / -58 to 392 °F |

* with reservations

P11 - Manlid with conical Frame



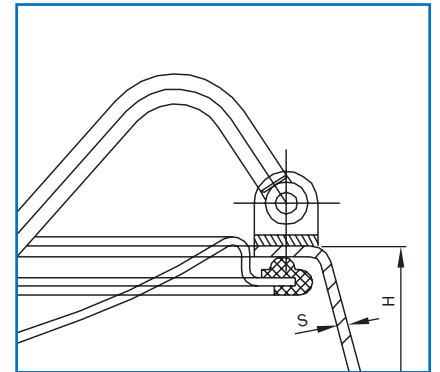
The lid type P11 is mainly installed in storage tanks. It provides access for maintenance and repair. The tapered frame shape means that the lid can be adapted easily to the tank. The curve of the tank is compensated for by the frame height.

The typical installation location is on the side in the bottom area to enable inspections to be carried out safely and easily. The static water column supports the sealing. The lid is CIP-enabled.

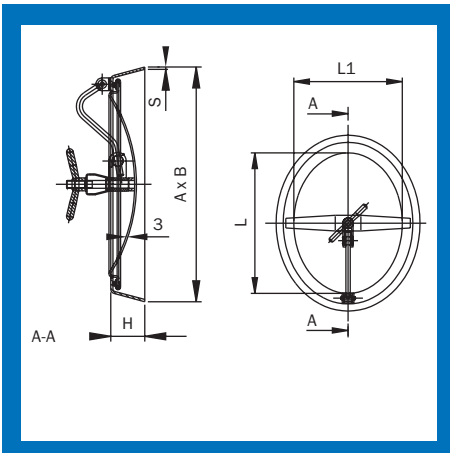
Technical Parameters

| | |
|------------------------------|--|
| Materials: | 1.4404 (316L) |
| Max. static pressure: | 2.4 bar / 34.8 psi at 150 °C / 302 °F |
| Seal rings: | EPDM, NBR, Silicone, natural rubber, FKM, other materials on request |
| Surfaces: | Lid electropolished, frame blasted |
| Internal dimensions: | 340 x 440 mm |

- Oval stainless steel manlid
- Opening inwards
- Positioned in the upper or lower region of the tank
- Bead seal ring pulled over the edge of the lid



Ordering Information



Manlid with conical Frame, without Seal Ring

| Type | A x B | H | L | L1 | V | Weight [kg] | 1.4404 (316L) | |
|----------------|-----------|----|-----|-----|---|-------------|---------------|--------------|
| | | | | | | | Price/EUR | Article No. |
| P11-340-440 ED | 450 x 550 | 80 | 440 | 340 | 4 | 12 | * | 6B0111100000 |
| | | | | | | | | |
| | | | | | | | | |
| | | | | | | | | |
| | | | | | | | | |
| | | | | | | | | |
| | | | | | | | | |
| | | | | | | | | |
| | | | | | | | | |

Seal Ring for Manlid with conical Frame

| Type | NBR | Silicone | EPDM | FKM | Natural rubber |
|----------------|--------------|--------------|--------------|--------------|----------------|
| | Article No. | Article No. | Article No. | Article No. | Article No. |
| P11-340-440 ED | 6B0540100020 | 6B0540100029 | 6B0540100011 | 6B0540100652 | 6B0540100008 |
| | | | | | |
| | | | | | |
| | | | | | |
| | | | | | |
| | | | | | |
| | | | | | |
| | | | | | |
| | | | | | |

P11 - Manlid with flat Frame



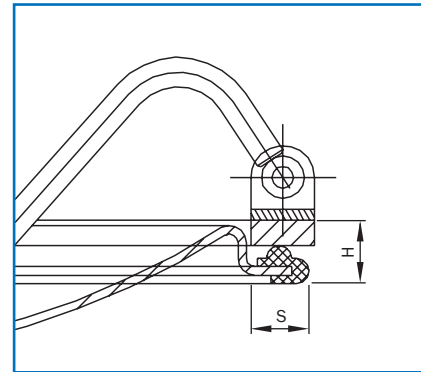
The lid type P11 is mainly installed in storage tanks with plane surfaces. It provides access for maintenance and repair. The flat frame shape prevents a dome from forming. The flat frame height also enables efficient cleaning.

The typical installation location is at the side or on the top. The static water column supports the sealing. The lid is CIP-enabled.

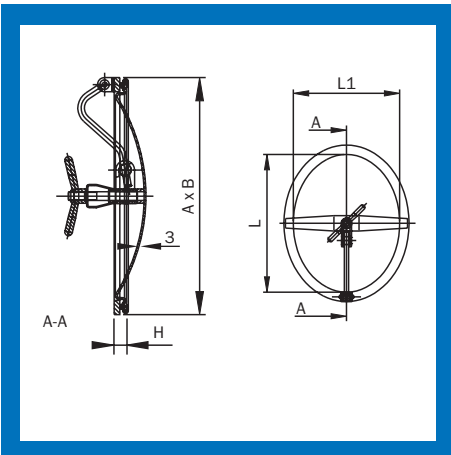
Technical Parameters

| | |
|------------------------------|--|
| Materials: | 1.4404 (316L) |
| Max. static pressure: | 2.4 bar / 34.8 psi at 150 °C / 302 °F |
| Seal rings: | EPDM, NBR, Silicone, FKM, natural rubber, other materials on request |
| Surfaces: | Lid electropolished, frame blasted |
| Internal dimensions: | 340 x 440 mm |

- Oval stainless steel manlid
- Opening inwards
- Positioned in the upper or lower region of the tank
- Bead seal ring pulled over the edge of the lid



Ordering Information



Manlid with flat Frame, without Seal Ring

| Type | A x B | H | L | L1 | V | Weight [kg] | 1.4404 (316L) | |
|---------------|-----------|----|-----|-----|----|-------------|---------------|--------------|
| | | | | | | | Price/EUR | Article No. |
| P11-340-440 P | 400 x 500 | 12 | 440 | 340 | 30 | 11 | * | 6B0111120001 |
| | | | | | | | | |
| | | | | | | | | |
| | | | | | | | | |
| | | | | | | | | |
| | | | | | | | | |
| | | | | | | | | |
| | | | | | | | | |
| | | | | | | | | |
| | | | | | | | | |

Seal Ring for Manlid with flat Frame

| Type | NBR | Silicone | EPDM | FKM | Natural rubber |
|---------------|--------------|--------------|--------------|--------------|----------------|
| | Article No. | Article No. | Article No. | Article No. | Article No. |
| P11-340-440 P | 6B0540100020 | 6B0540100029 | 6B0540100011 | 6B0540100652 | 6B0540100008 |
| | | | | | |
| | | | | | |
| | | | | | |
| | | | | | |
| | | | | | |
| | | | | | |
| | | | | | |
| | | | | | |
| | | | | | |

P11 - Manlid with low Frame



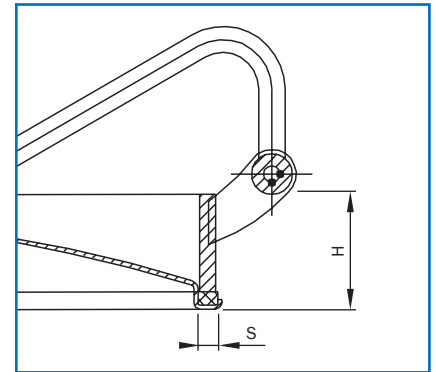
The lid type P11 is mainly installed in storage tanks. It provides access for maintenance and repair. The curve of the tank is compensated for by the frame height. The most common installation location is on the side in the bottom area to enable inspections to be carried out safely and easily.

The static water column supports the sealing. The advantage of this lid is in the design of the sealing. It enables particularly efficient cleaning.

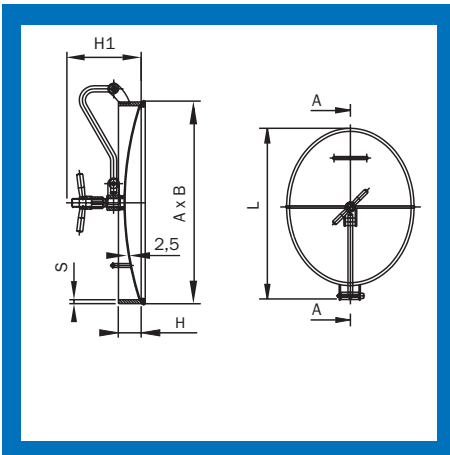
Technical Parameters

Materials: 1.4404 (316L)
Max. static pressure: 1.7 bar / 24.7 psi at 150 °C / 302 °F
Seal rings: EPDM, NBR, Silicone, FKM, other materials on request
Surfaces: Lid electropolished, frame brushed

- Oval stainless steel manlid
- Opening inwards
- Positioned in the upper or lower region of the tank
- Square seal in the lid, glued



Ordering Information



Manlid with low Frame, with Seal Ring

| Type / Seal Ring | A x B | H | H1 | L | V | Weight [kg] | 1.4404 (316L) | |
|------------------------|-----------|----|-----|-----|----|-------------|---------------|----------------|
| | | | | | | | Price/EUR | Article No. |
| P11-410-510 / Silicone | 410 x 510 | 60 | 192 | 577 | 10 | 19 | * | 6B0111140000/0 |
| P11-410-510 / EPDM | 410 x 510 | 60 | 192 | 577 | 10 | 19 | * | 6B0111140000/1 |
| P11-410-510 / FKM | 410 x 510 | 60 | 192 | 577 | 10 | 19 | * | 6B0111140000/2 |
| P11-410-510 / NBR | 410 x 510 | 60 | 192 | 577 | 10 | 19 | * | 6B0111140000/3 |
| | | | | | | | | |
| | | | | | | | | |
| | | | | | | | | |
| | | | | | | | | |

P22 - Pressure Dome Lid



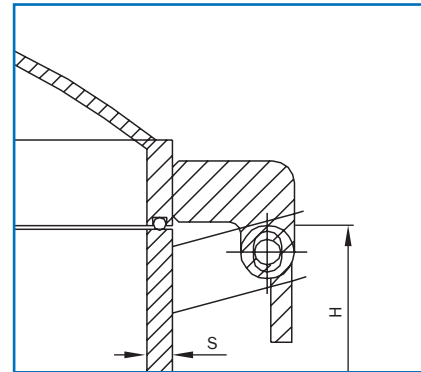
The P22 pressure dome lid is usually used in pressure tanks. It is mainly used for inspecting the inside of the tank. The lid can also be used for holding mixers, sight glasses and cleaning equipment. It is usually installed on top of the tank, but can also be installed on the side.

The permissible pressure depends on the diameter, the number of locking screws and the temperature. The pressure dome lid opens outwards. The sealing takes place via the preload force of the locking nuts (the internal pressure does not support the sealing!).

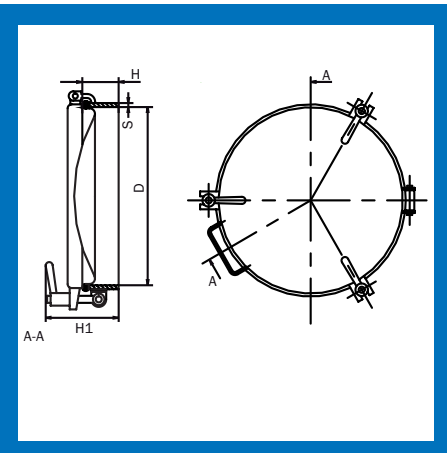
Technical Parameters

Materials: 1.4404 (316L)
Seal rings: EPDM, NBR, FKM, Silicone, natural rubber
Surfaces: polished, matt brushed or blasted
Special accessories: Opening depth and sight glasses on request

- Round stainless steel dome lid
- Opening outwards
- O-ring seal in the lid



Ordering Information



Pressure Dome Lid without Seal Ring

| Type | D | H | H1 | V | Number of clamping devices | Max. permissible pressure [bar] | | | Weight [kg] | 1.4404 (316L) | |
|---------|-----|-----|-----|----|----------------------------|---------------------------------|--------|-----|-------------|---------------|--------------|
| | | | | | | max. 150 °C | Vacuum | | | Price/EUR | Article No. |
| P22-238 | 204 | 60 | 155 | 8 | 3 | 7 | 3.8 | 0.1 | 6 | * | 6B0222380200 |
| P22-239 | 354 | 60 | 155 | 8 | 3 | 4 | 2.2 | 0.1 | 11 | * | 6B0222390005 |
| P22-433 | 400 | 100 | 241 | 12 | 4 | 5 | 3 | 0.1 | 33 | * | 6B0224330006 |
| P22-444 | 400 | 100 | 241 | 12 | 5 | 6 | 4.3 | 0.1 | 34 | * | 6B0224440006 |
| P22-449 | 400 | 100 | 241 | 12 | 9 | 12 | 8.5 | 0.1 | 40 | * | 6B0224490002 |
| P22-443 | 457 | 100 | 236 | 12 | 5 | 4 | 3.5 | 0.1 | 37 | * | 6B0224430002 |
| P22-454 | 457 | 100 | 236 | 12 | 6 | 6 | 4.1 | 0.1 | 39 | * | 6B0224540006 |
| P22-459 | 457 | 100 | 236 | 12 | 11 | 8 | 7.3 | 0.1 | 47 | * | 6B0224590001 |
| P22-553 | 500 | 100 | 231 | 12 | 6 | 6 | 3.5 | 0.1 | 43 | * | 6B0225530002 |
| P22-564 | 500 | 100 | 231 | 12 | 7 | 8 | 4.5 | 0.1 | 44 | * | 6B0225640002 |
| P22-569 | 500 | 100 | 231 | 12 | 13 | 12 | 7.5 | 0.1 | 54 | * | 6B0225690000 |

Seal Ring for Pressure Dome Lid

| Type | NBR | Silicone | EPDM | FKM | Natural rubber |
|-------------------|--------------|--------------|--------------|--------------|----------------|
| | Article No. | Article No. | Article No. | Article No. | Article No. |
| P22-238 | | 6B0540100268 | 6B0540100174 | 6B0540100302 | |
| P22-239 | | 6B0540100747 | 6B0540100175 | 6B0540100323 | |
| P22-433/-444/-449 | 6B0540100245 | 6B0540100299 | 6B0540100177 | 6B0540100343 | 6B0540100144 |
| P22-443/-454/-459 | 6B0540100246 | 6B0540100300 | 6B0540100178 | 6B0540100344 | 6B0540100145 |
| P22-553/-564/-569 | 6B0540100248 | 6B0540100304 | 6B0540100181 | 6B0540100350 | 6B0540100149 |
| | | | | | |
| | | | | | |
| | | | | | |
| | | | | | |

P23 - External Lid with one Handle



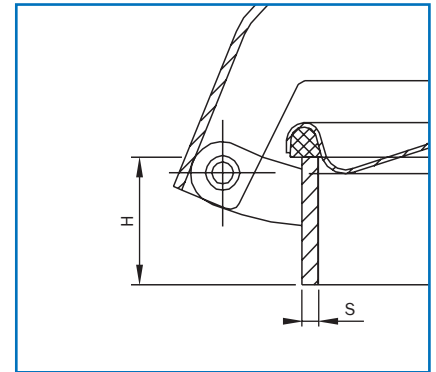
The lid type P23 is designed for pressureless tanks. It is mainly used as an inspection hatch on the machines (e.g. washing machine). The lid can be used in the splash zone and below the water level (max. 3 m water column).

The design enables easy operation for opening and closing without tools. The fixed connection between the handle and lid enables the lid to be placed easily on the frame, which also ensures secure sealing.

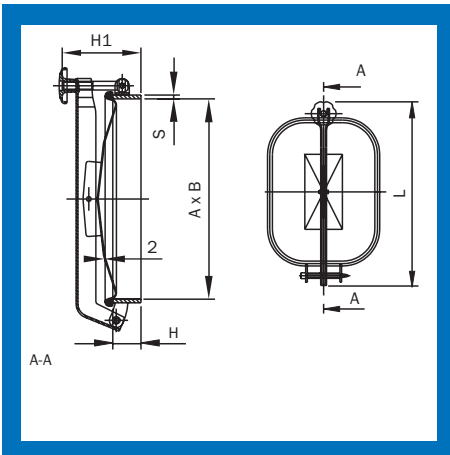
Technical Parameters

Materials: 1.4404 (316L), [1.4301/1.4307 (304/304L), on request]
Seal rings: EPDM, NBR, FKM, Silicone, other materials on request
Surfaces: Lid electropolished, frame brushed

- Rectangular stainless steel manlid
- Opening outwards
- Positioning in the side wall of the machine
- Half cord seal in the lid, glued



Ordering Information



External Lid with one Handle, with Seal Ring

| Type / Seal ring | A x B | H | H1 | L | V | Max. permissible pressure [bar] | | Weight [kg] | 1.4404 (316L) | |
|--------------------|-----------|----|-----|-----|---|---------------------------------|--------|-------------|---------------|----------------|
| | | | | | | max. | Vacuum | | Price/EUR | Article No. |
| P23-308 / Silicone | 424 x 314 | 60 | 172 | 557 | 8 | 0.3 | 0.2 | 10 | * | 6B0233080008/0 |
| P23-308 / EPDM | 424 x 314 | 60 | 172 | 557 | 8 | 0.3 | 0.2 | 10 | * | 6B0233080008/1 |
| P23-308 / FKM | 424 x 314 | 60 | 172 | 557 | 8 | 0.3 | 0.2 | 10 | * | 6B0233080008/2 |
| P23-308 / NBR | 424 x 314 | 60 | 172 | 557 | 8 | 0.3 | 0.2 | 10 | * | 6B0233080008/3 |
| | | | | | | | | | | |
| | | | | | | | | | | |
| | | | | | | | | | | |
| | | | | | | | | | | |

P31 - Non-pressure Dome Lid, hygienic



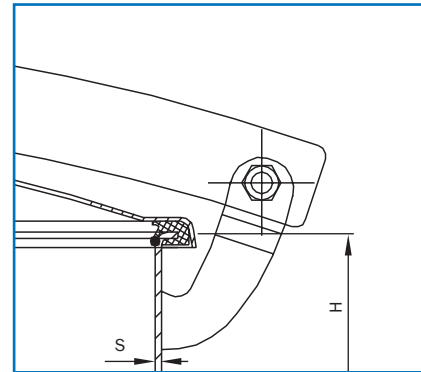
The lid type P31 is designed for pressureless tanks. It is mainly used as a dome lid on the tank. The fluid level must be below the tank lid. The design enables easy operation for opening and closing without tools.

The fixed connection between the handle and lid enables the lid to be placed easily on the frame, which also ensures secure sealing. It is used as access for maintenance and repair or for filling a tank. The lid can also be used for holding inlet nozzles, sight glasses or other connections. This lid is a low-cost version for use in a pressureless tank.

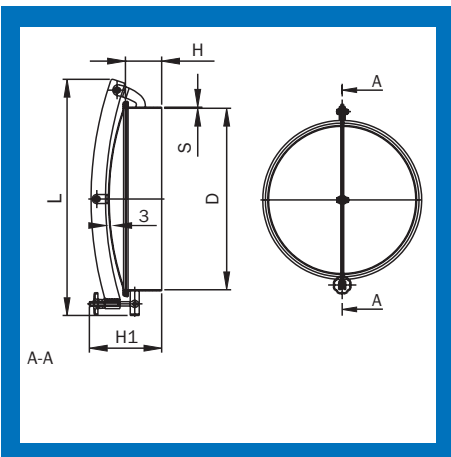
Technical Parameters

Materials: 1.4404 (316L)
Seal rings: EPDM, NBR, Silicone, natural rubber, other materials on request
Surfaces: Lid electropolished, frame blasted

- Round stainless steel dome lid pressureless
- Opening outwards
- Positioned at the top
- Double lip seal on the frame



Ordering Information



Non-pressure Dome Lid, hygienic, without Seal Ring

| Type | D | H | H1 | L | V | Max. permissible pressure [bar] | Weight [kg] | 1.4404 (316L) | |
|---------|-----|-----|-----|-----|---|---------------------------------|-------------|---------------|--------------|
| | | | | | | | | Price/EUR | Article No. |
| P31-200 | 200 | 100 | 195 | 338 | 3 | 0.8 | 5 | * | 6B0313120001 |
| P31-300 | 300 | 100 | 195 | 441 | 3 | 0.3 | 8 | * | 6B0313130001 |
| P31-400 | 430 | 100 | 195 | 575 | 3 | 0.2 | 11 | * | 6B0313140009 |
| P31-500 | 500 | 100 | 203 | 651 | 3 | 0.1 | 13 | * | 6B0313150002 |
| P31-600 | 595 | 100 | 235 | 734 | 3 | 0.05 | 15 | * | 6B0313160000 |

Seal Ring for Non-pressure Dome Lid, hygienic

| Type | NBR | Silicone | EPDM | FKM | Natural rubber |
|---------|--------------|--------------|--------------|--------------|----------------|
| | Article No. | Article No. | Article No. | Article No. | Article No. |
| P31-200 | 6B0540100227 | 6B0540100273 | 6B0540100157 | 6B0540100324 | 6B0540100117 |
| P31-300 | 6B0540100228 | 6B0540100274 | 6B0540100158 | 6B0540100325 | 6B0540100118 |
| P31-400 | 6B0540100229 | 6B0540100275 | 6B0540100159 | 6B0540100326 | 6B0540100119 |
| P31-500 | 6B0540100230 | 6B0540100276 | 6B0540100160 | 6B0540100327 | 6B0540100120 |
| P31-600 | 6B0540100231 | 6B0540100277 | 6B0540100161 | 6B0540100328 | 6B0540100121 |

P31 - Non-pressure Dome Lid, hygienic



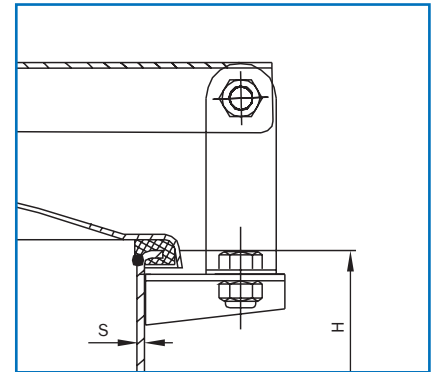
The lid type P31 is designed for pressureless tanks. It is mainly used as a dome lid on the tank. The fluid level must be below the tank lid. The design enables easy operation for opening and closing without tools.

The fixed connection between the handle and lid enables the lid to be placed easily on the frame, which also ensures secure sealing. It is used as access for maintenance and repair or for filling a tank. The lid can also be used for holding inlet nozzles, sight glasses or other connections.

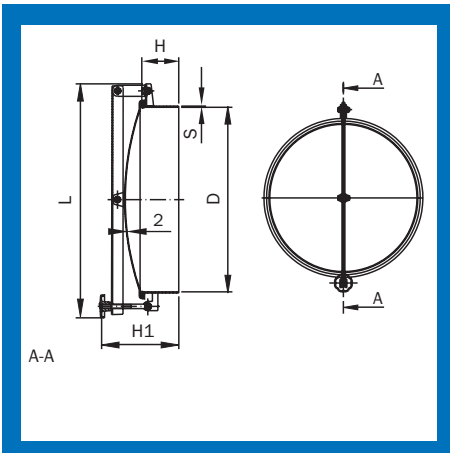
Technical Parameters

Materials: 1.4404 (316L)
Seal rings: EPDM, other materials on request
Surfaces: Lid electropolished, frame blasted

- Round stainless steel dome lid pressureless
- Opening outwards
- Positioned at the top
- Lip seal on the frame



Ordering Information



Non-pressure Dome Lid, hygienic, without Seal Ring

| Type | D | H | H1 | L | V | Max. permissible pressure [bar] | Weight[kg] | 1.4404 (316L) | |
|---------|-----|----|-----|-----|---|---------------------------------|------------|---------------|--------------|
| | | | | | | | | Price/EUR | Article No. |
| P31-440 | 400 | 90 | 230 | 520 | 2 | 0.1 | 8 | * | 6B0313140002 |
| P31-540 | 499 | 90 | 230 | 619 | 2 | 0.1 | 9 | * | 6B0315140001 |
| | | | | | | | | | |
| | | | | | | | | | |
| | | | | | | | | | |
| | | | | | | | | | |
| | | | | | | | | | |
| | | | | | | | | | |

Seal Ring for Non-pressure Dome Lid, hygienic

| Type | EPDM | |
|---------|--------------|--|
| | Article No. | |
| P31-440 | 6B0540100162 | |
| P31-540 | 6B0540100160 | |
| | | |
| | | |
| | | |
| | | |
| | | |
| | | |
| | | |

P31 - Non-pressure Dome Lid, hygienic, with double Handle



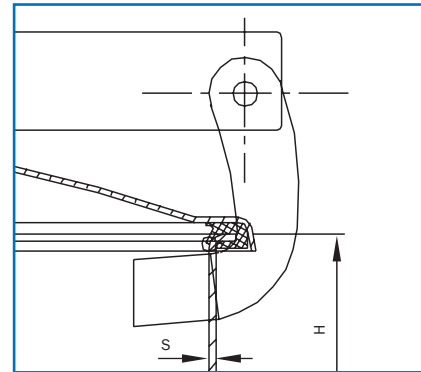
The lid type P31 is designed for pressureless tanks. It is mainly used as a dome lid on the tank. The fluid level must be below the lid. The design enables easy operation for opening and closing without tools.

The fixed connection between the handle and lid enables the lid to be placed easily on the frame, which also ensures secure sealing. The double handle enables a more even pressing force to be applied and access for maintenance and repair or for filling a tank. The lid can also be used for holding inlet nozzles, sight glasses or other attachments.

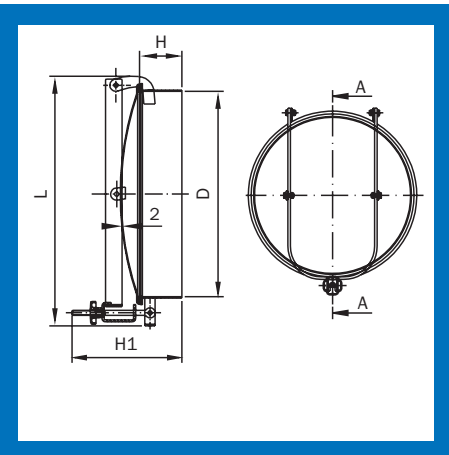
Technical Parameters

Materials: 1.4404 (316L)
Seal rings: Silicone, EPDM, other materials on request
Surfaces: Lid electropolished, frame blasted

- Round stainless steel dome lid pressureless
- Opening outwards
- Positioned at the top
- Lip seal on the frame



Ordering Information



Non-pressure Dome Lid, hygienic, with double Handle, without Seal Ring

| Type | D | H | H1 | L | V | Max. permissible pressure [bar] | Weight [kg] | 1.4404 (316L) | |
|---------|-----|-----|-----|-----|---|---------------------------------|-------------|---------------|--------------|
| | | | | | | | | Price/EUR | Article No. |
| P31-598 | 500 | 100 | 235 | 620 | 3 | max. 0.1 | 15 | * | 6B0315980002 |
| | | | | | | | | | |
| | | | | | | | | | |
| | | | | | | | | | |
| | | | | | | | | | |
| | | | | | | | | | |
| | | | | | | | | | |
| | | | | | | | | | |
| | | | | | | | | | |

Seal Ring for Non-pressure Dome Lid, hygienic, with double Handle

| Type | Silicone | EPDM |
|---------|--------------|--------------|
| | Article No. | Article No. |
| P31-598 | 6B0540100276 | 6B0540100160 |
| | | |
| | | |
| | | |
| | | |
| | | |
| | | |
| | | |
| | | |

P33 - Dome Lid, hygienic



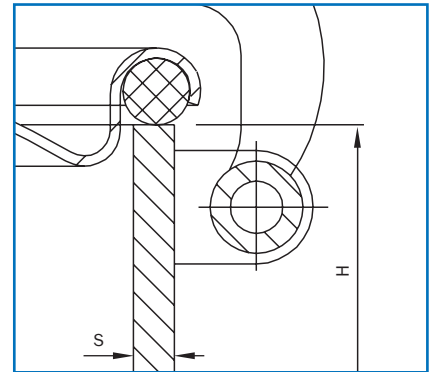
This lid is designed for pressureless tanks. It is mainly used as a dome lid on small tanks or on liquid tanks. The fluid level must be below the lid. This design enables easy operation for opening and closing without tools.

The fixed connection between the handle and lid enables the lid to be placed easily on the frame, which also ensures secure sealing. It is used as an opening for maintenance and repair or for filling a tank.

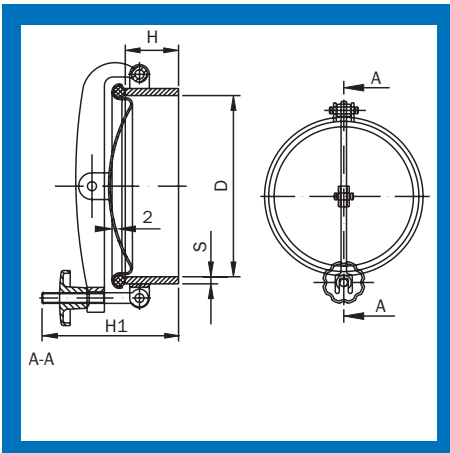
Technical Parameters

Materials: 1.4404 (316L)
Seal rings: EPDM, other materials on request
Surfaces: Lid electropolished, frame blasted

- Round stainless steel dome lid
- Opening outwards
- Positioned at the top
- O-ring seal in the lid



Ordering Information



Dome Lid, hygienic, without Seal Ring

| Type | D | H | H1 | V | Max. permissible pressure [bar] | | Weight [kg] | 1.4404 (316L) | |
|---------|-----|----|-----|---|---------------------------------|--------|-------------|---------------|--------------|
| | | | | | max. | Vacuum | | Price/EUR | Article No. |
| P33-114 | 204 | 60 | 154 | 8 | 0.8 | 0.1 | 4 | * | 6B0331140007 |
| | | | | | | | | | |
| | | | | | | | | | |
| | | | | | | | | | |
| | | | | | | | | | |
| | | | | | | | | | |
| | | | | | | | | | |
| | | | | | | | | | |

Seal Ring for Dome Lid, hygienic

| Type | EPDM | |
|---------|--------------|--|
| | Article No. | |
| P33-114 | 6B0540100173 | |
| | | |
| | | |
| | | |
| | | |
| | | |
| | | |
| | | |
| | | |

P33 - Non-pressure Dome Lid, hygienic



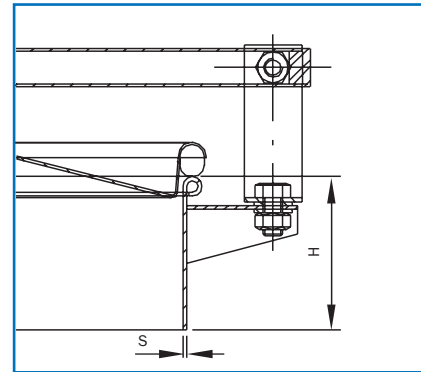
The lid type P33 is designed for pressureless tanks. It is mainly used as a dome lid on the tank. The fluid level must be below the lid. The design enables easy operation for opening and closing without tools.

The fixed connection between the handle and lid enables the lid to be placed easily on the frame, which also ensures secure sealing. The handle is mounted on the side and can be rotated. This also enables the lid to be opened fully even with a low installation height between the tank and ceiling. It is used as access for maintenance and repair or for filling a tank. The lid can also be used for holding inlet nozzles, sight glasses or other attachments.

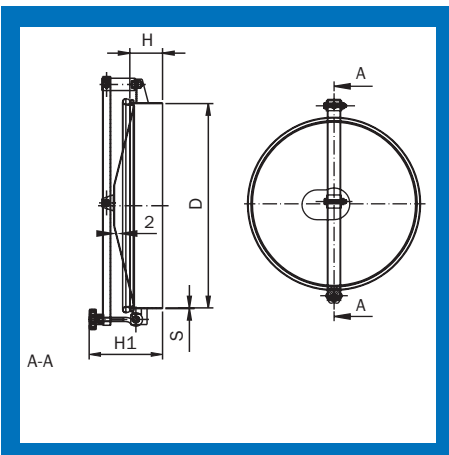
Technical Parameters

Materials: 1.4404 (316L)
Seal rings: EPDM, FKM, NBR, other materials on request
Surfaces: Lid electropolished, frame blasted

- Round stainless steel dome lid
- Opening outwards, lid swings out to the side
- Positioned at the top
- Seal: round cord in the lid, glued



Ordering Information



Non-pressure Dome Lid, hygienic, with Seal Ring

| Type / Seal ring | D | H | H1 | V | Max. permissible pressure [bar] | Weight [kg] | 1.4404 (316L) | |
|------------------|-----|----|-----|---|---------------------------------|-------------|---------------|----------------|
| | | | | | | | Price/EUR | Article No. |
| P33-230 / EPDM | 220 | 80 | 175 | 2 | 0.1 | 4 | * | 6B0332300001/1 |
| P33-230 / FKM | 220 | 80 | 175 | 2 | 0.1 | 4 | * | 6B0332300001/2 |
| P33-230 / NBR | 220 | 80 | 175 | 2 | 0.1 | 4 | * | 6B0332300001/3 |
| P33-330 / EPDM | 296 | 80 | 175 | 2 | 0.1 | 5 | * | 6B0333300001/1 |
| P33-330 / FKM | 296 | 80 | 175 | 2 | 0.1 | 5 | * | 6B0333300001/2 |
| P33-330 / NBR | 296 | 80 | 175 | 2 | 0.1 | 5 | * | 6B0333300001/3 |
| P33-430 / EPDM | 393 | 80 | 175 | 2 | 0.05 | 8 | * | 6B0334300001/1 |
| P33-430 / FKM | 393 | 80 | 175 | 2 | 0.05 | 8 | * | 6B0334300001/2 |
| P33-430 / NBR | 393 | 80 | 175 | 2 | 0.05 | 8 | * | 6B0334300001/3 |
| P33-530 / EPDM | 500 | 80 | 175 | 2 | 0.05 | 9 | * | 6B0335300001/1 |
| P33-530 / FKM | 500 | 80 | 175 | 2 | 0.05 | 9 | * | 6B0335300001/2 |
| P33-530 / NBR | 500 | 80 | 175 | 2 | 0.05 | 9 | * | 6B0335300001/3 |
| P33-630 / EPDM | 600 | 80 | 175 | 2 | 0.05 | 11 | * | 6B0336300004 |
| P33-630 / FKM | 600 | 80 | 175 | 2 | 0.05 | 11 | * | 6B0336300001/2 |
| P33-630 / NBR | 600 | 80 | 175 | 2 | 0.05 | 11 | * | 6B0336300001/3 |



Armaturenwerk Hötensleben GmbH
 Schulstr. 5 - 6
 39393 Hoetensleben, Germany

Tel.: +49 39405 92-0
 Fax: +49 39405 92-111
 e-mail: info@awh.eu
 http://www.awh.eu

NEUMO Ehrenberg Group

